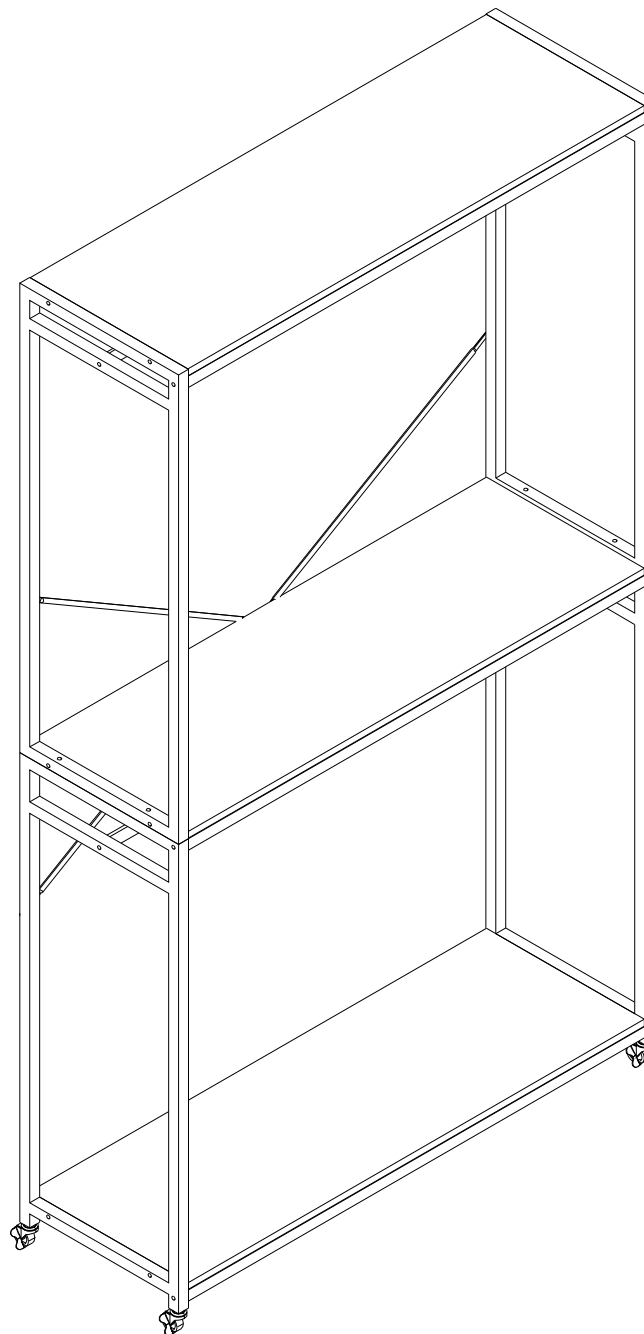


# TS500053

## T O P S K Y

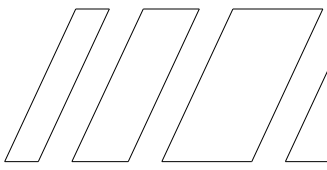


### **Special Warnings**

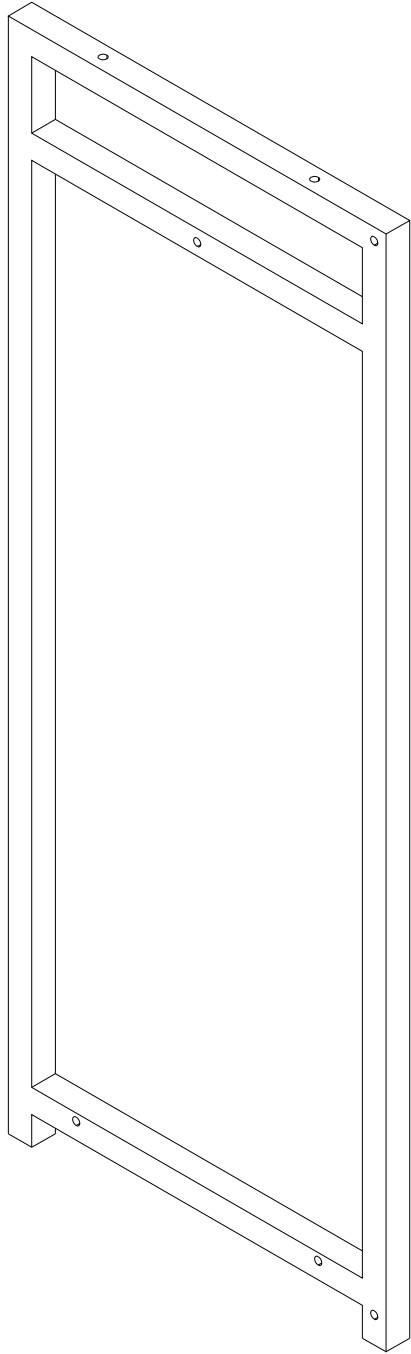
- Ø Keep your furniture out of direct sunlight. Please use desk pads and coasters to protect the surface from dents, scratches, and moisture from hot or cold liquids.
- Ø For cleaning, wipe the surface with a damp (not wet) cloth or wipe dry with a clean lint free cotton cloth. Window cleaning liquid or a similar cleaning liquid can be used to clean glass surface.

### **Operation Instructions**

- Ø Please check that all parts are present before you start the assembly of your furniture. For the protection of your furniture, place all parts on a clean and smooth surface to prevent any damage.
- Ø Please periodically check all fitting and re-tighten as necessary.
- Ø Please assemble the table by 2 persons or more.
- Ø Do NOT over tighten hardware.

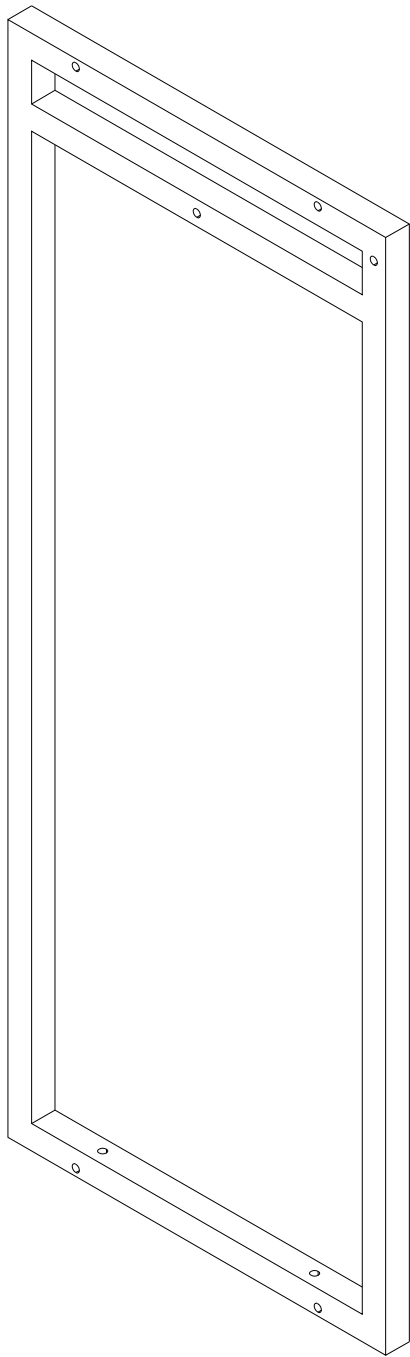


1



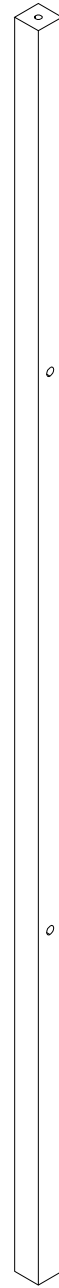
x 2

2



x 2

3



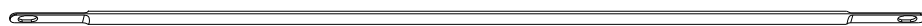
x 3

4



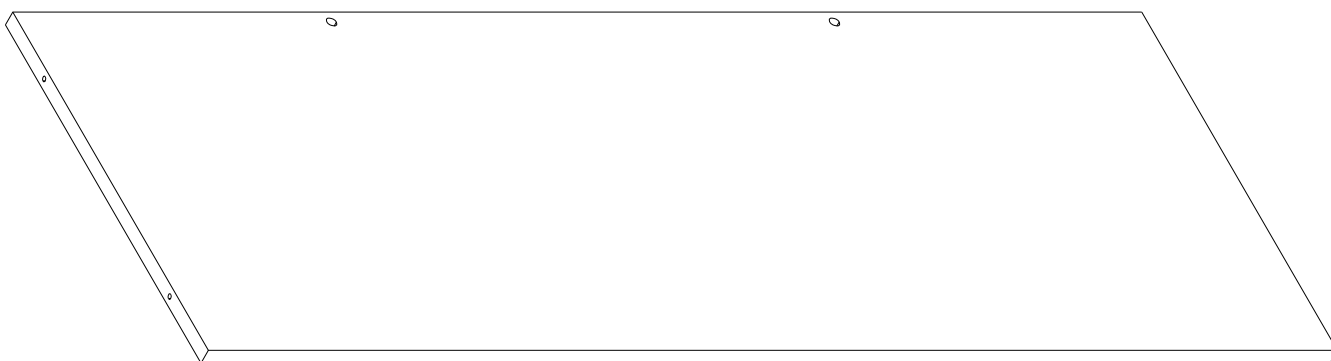
x 2

5



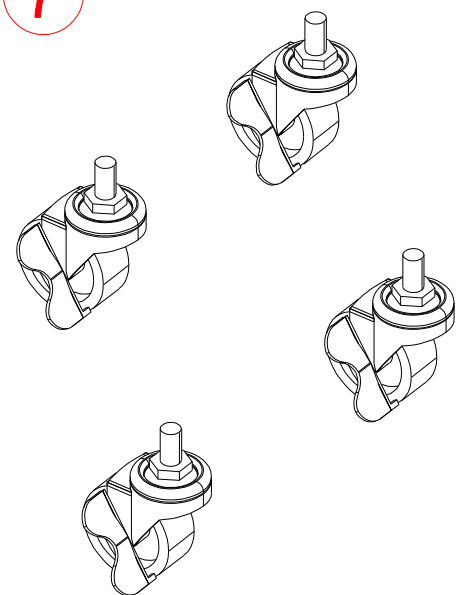
x 4

6

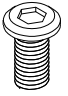
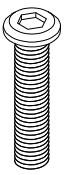
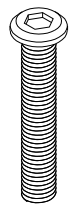
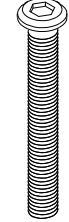
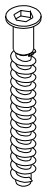
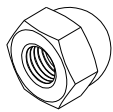
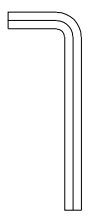
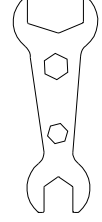


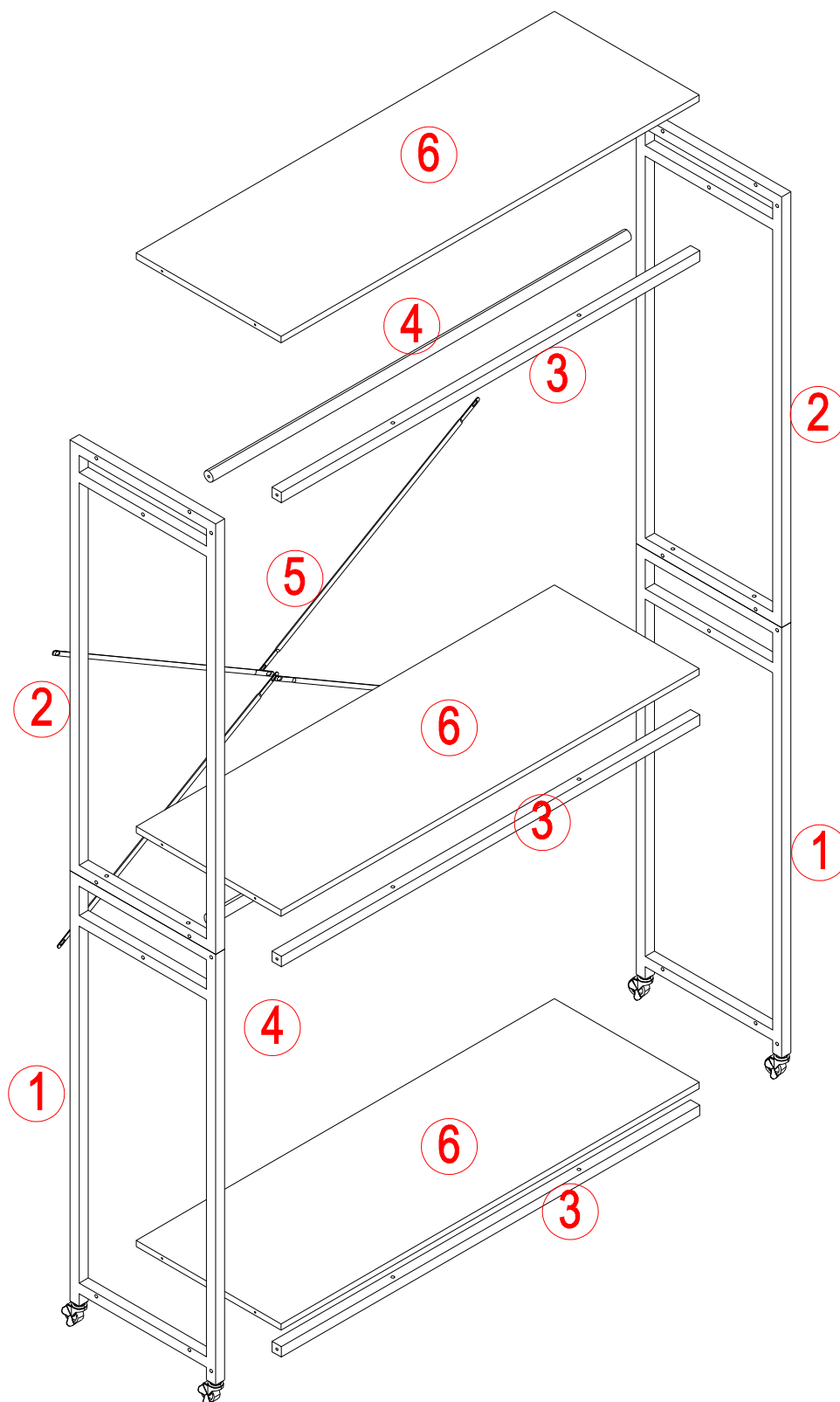
x 3

7

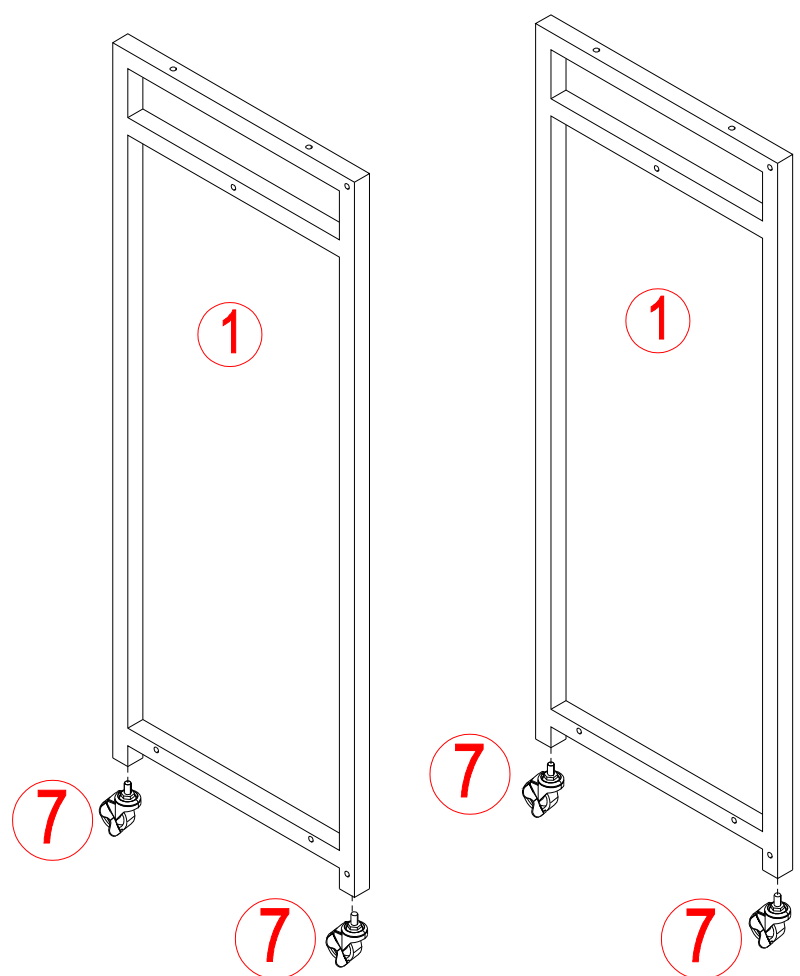


2" x 4

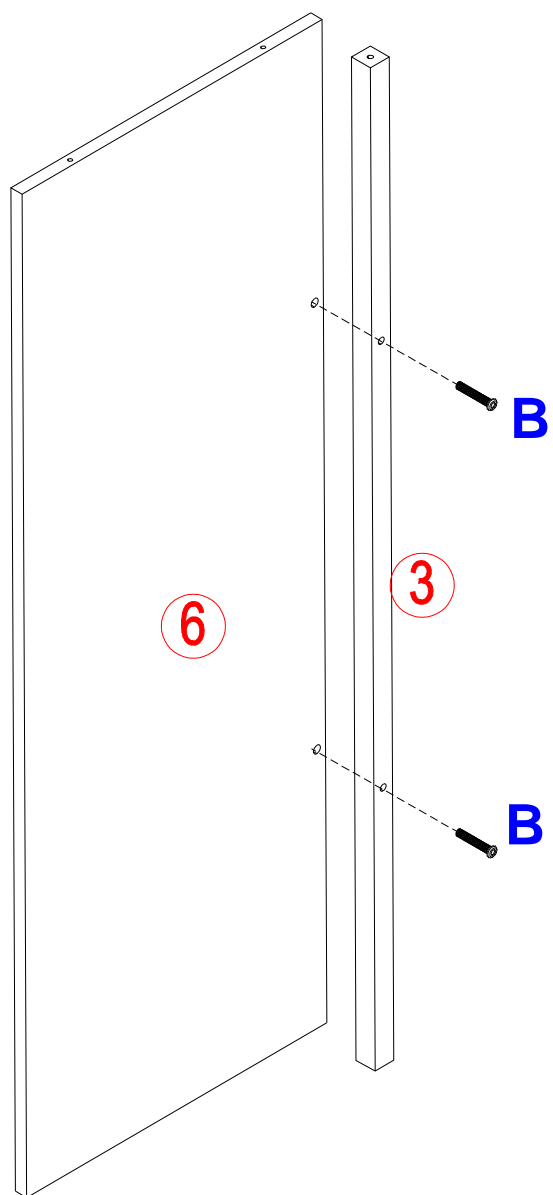
<b>A</b> M6x12  5 PCS	<b>B</b> M6x35  6 PCS	<b>C</b> M6x45  10 PCS	<b>D</b> M6x55  4 PCS
<b>E</b> M7x50  12 PCS	<b>F</b> M6  5 PCS	4#  1 PCS	 1 PCS



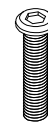
1



2



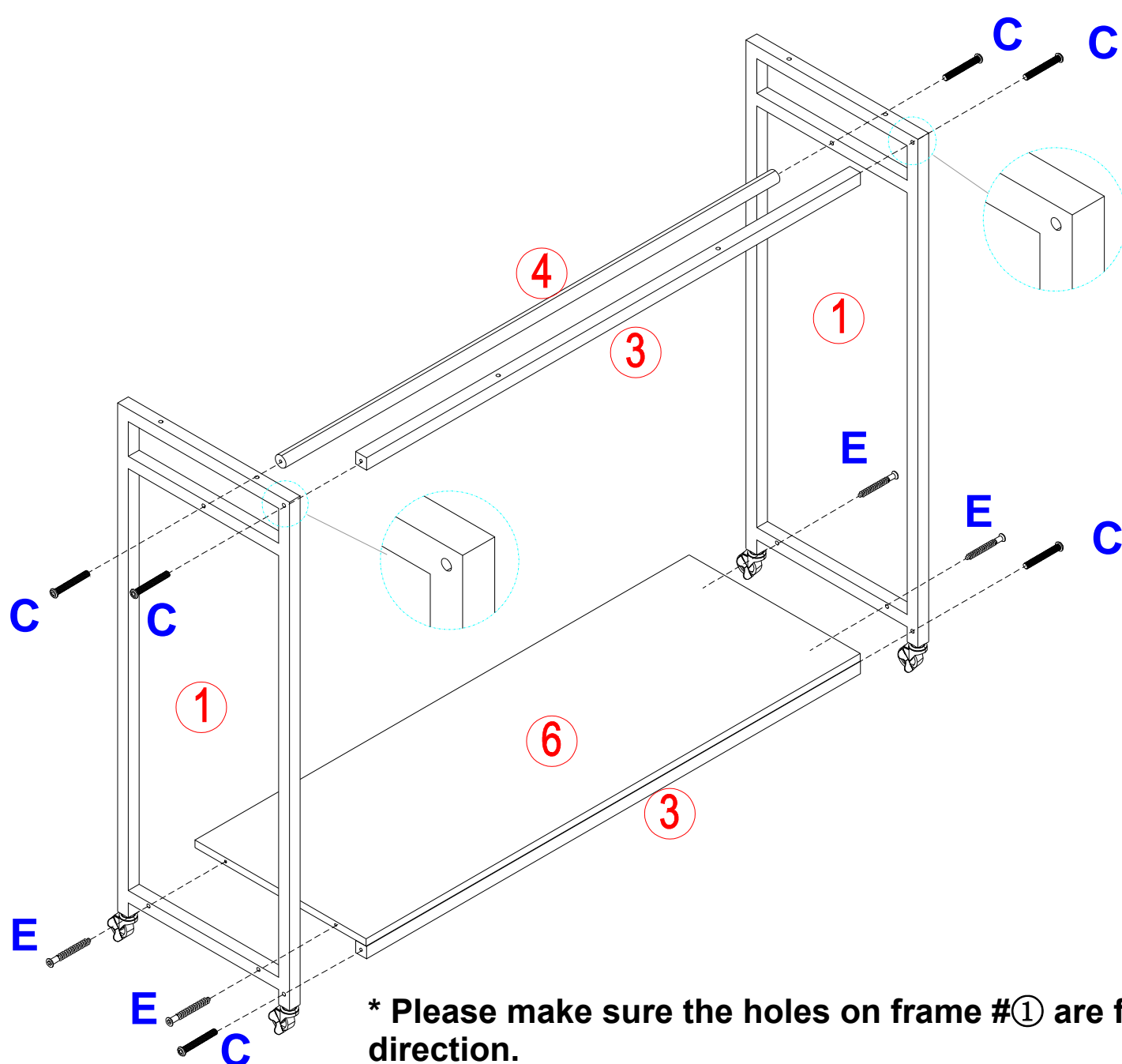
B M6x35



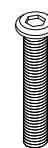
2 PCS

\* Please make sure the holes on frame #① are facing the same direction.

3



C M6x45



6 PCS

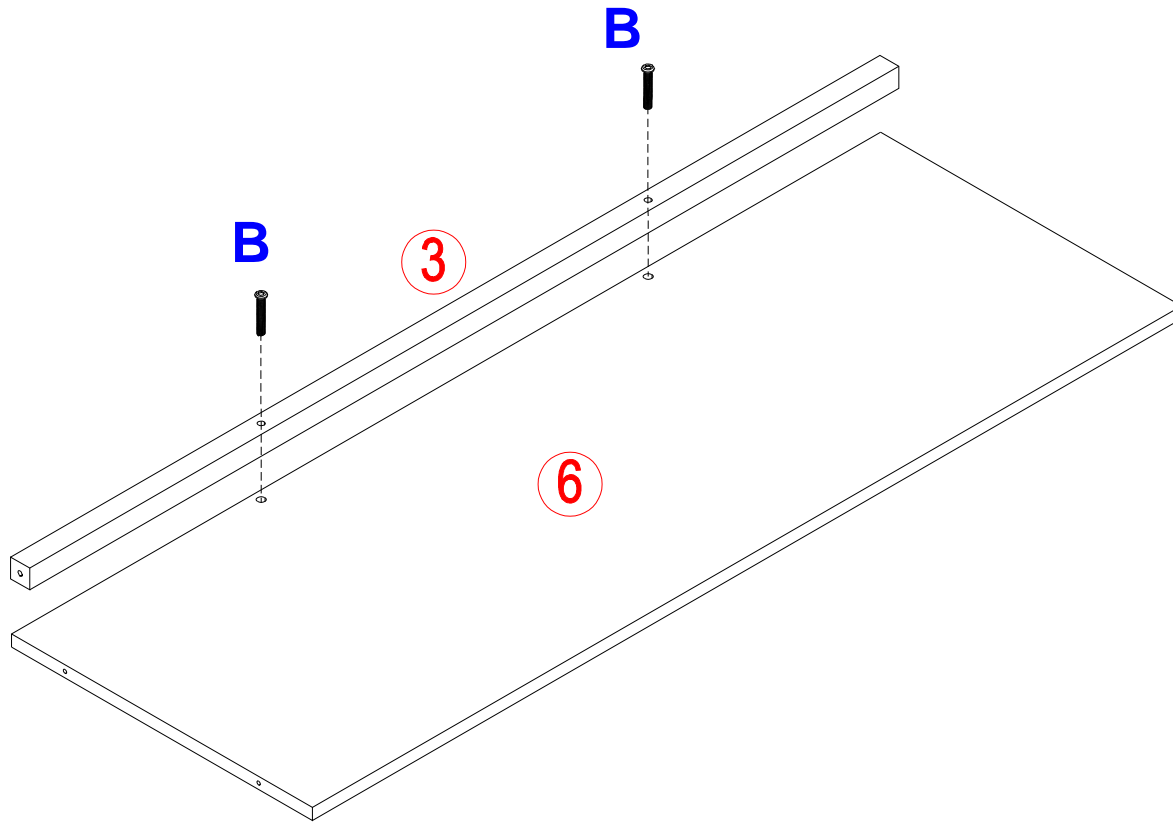
E M7x50

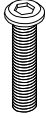


4 PCS

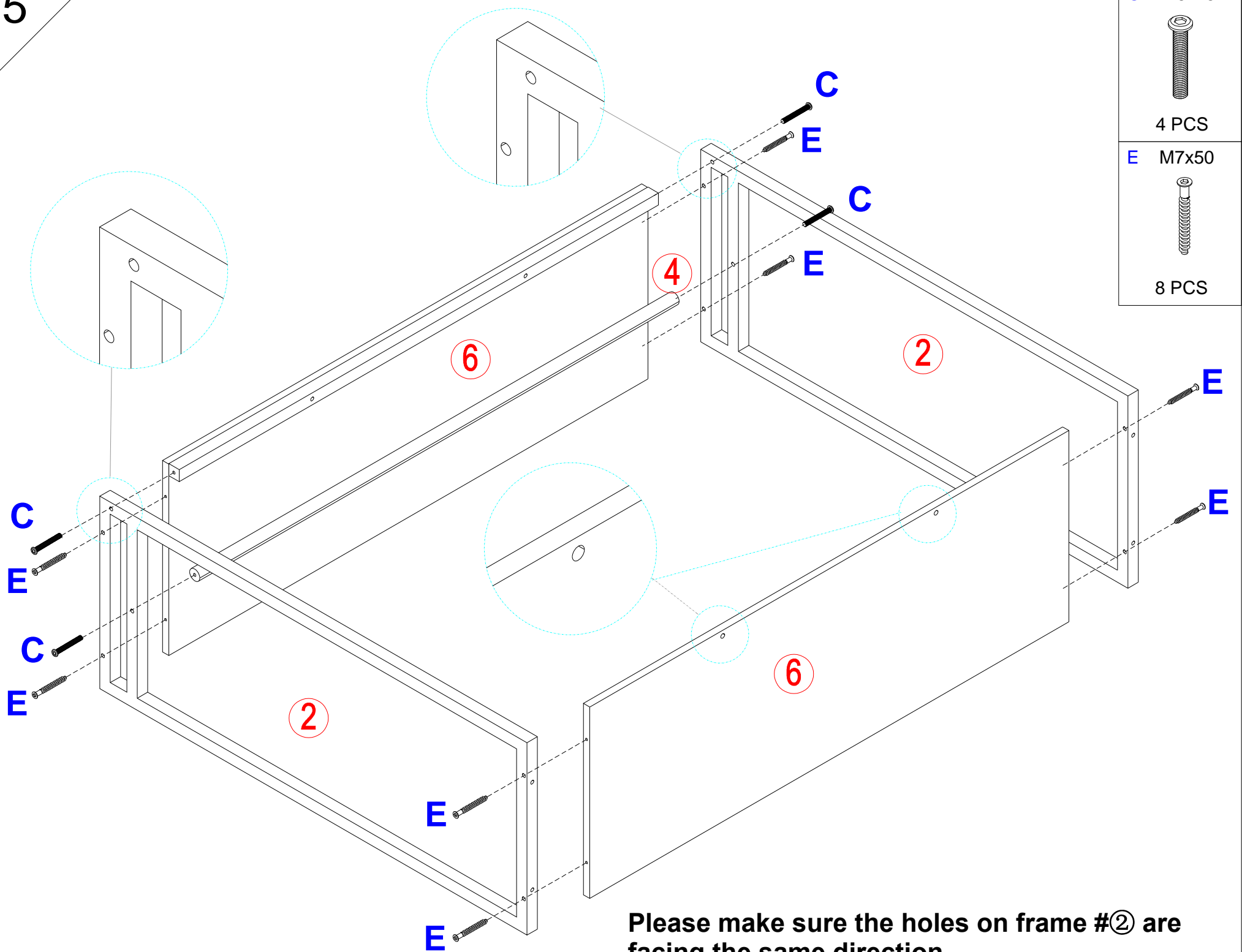
\* Please make sure the holes on frame #① are facing the same direction.

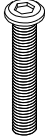
4




**B** M6x35  
  
2 PCS

5

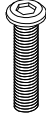
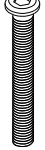



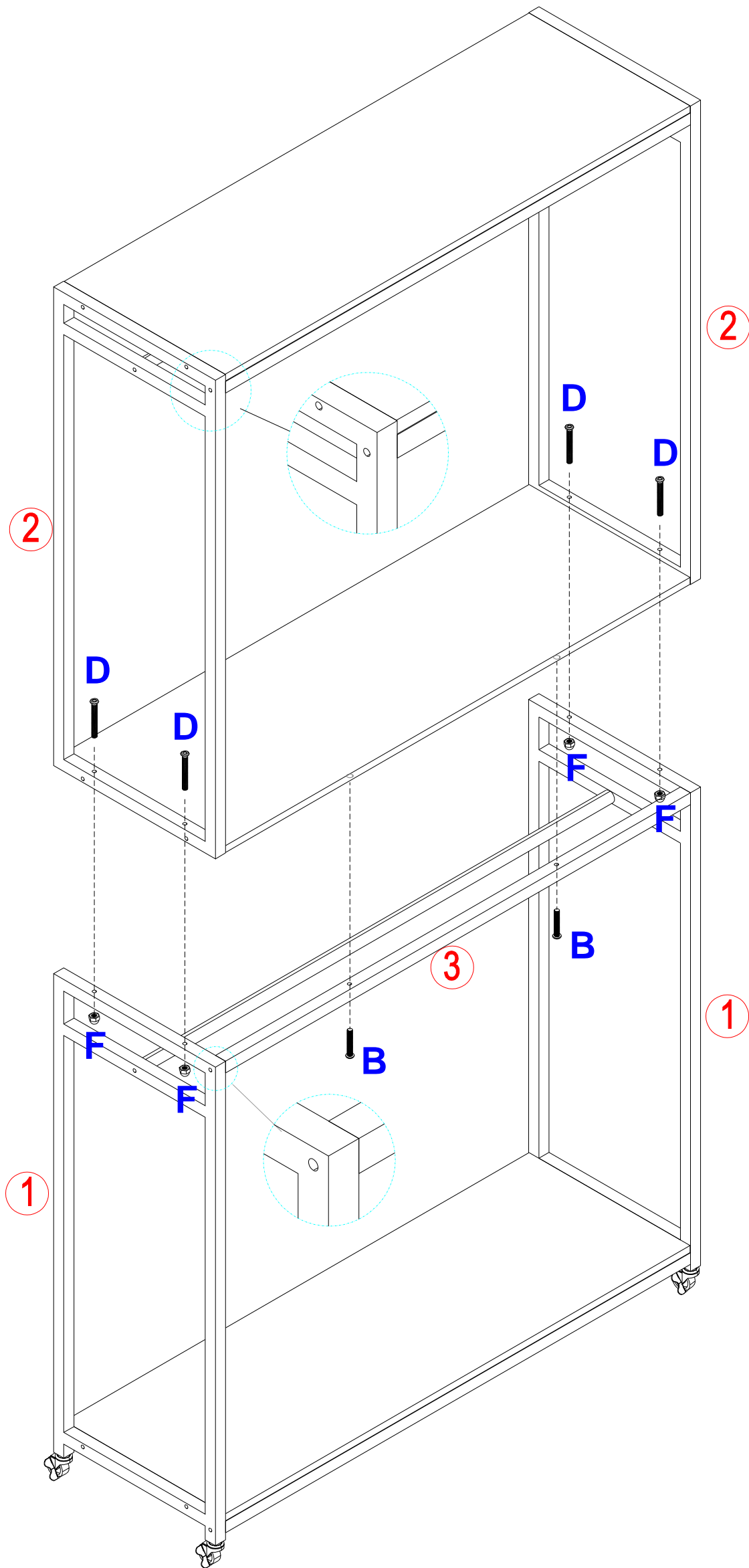
**C** M6x45  
  
4 PCS

**E** M7x50  
  
8 PCS

Please make sure the holes on frame #② are facing the same direction.



6

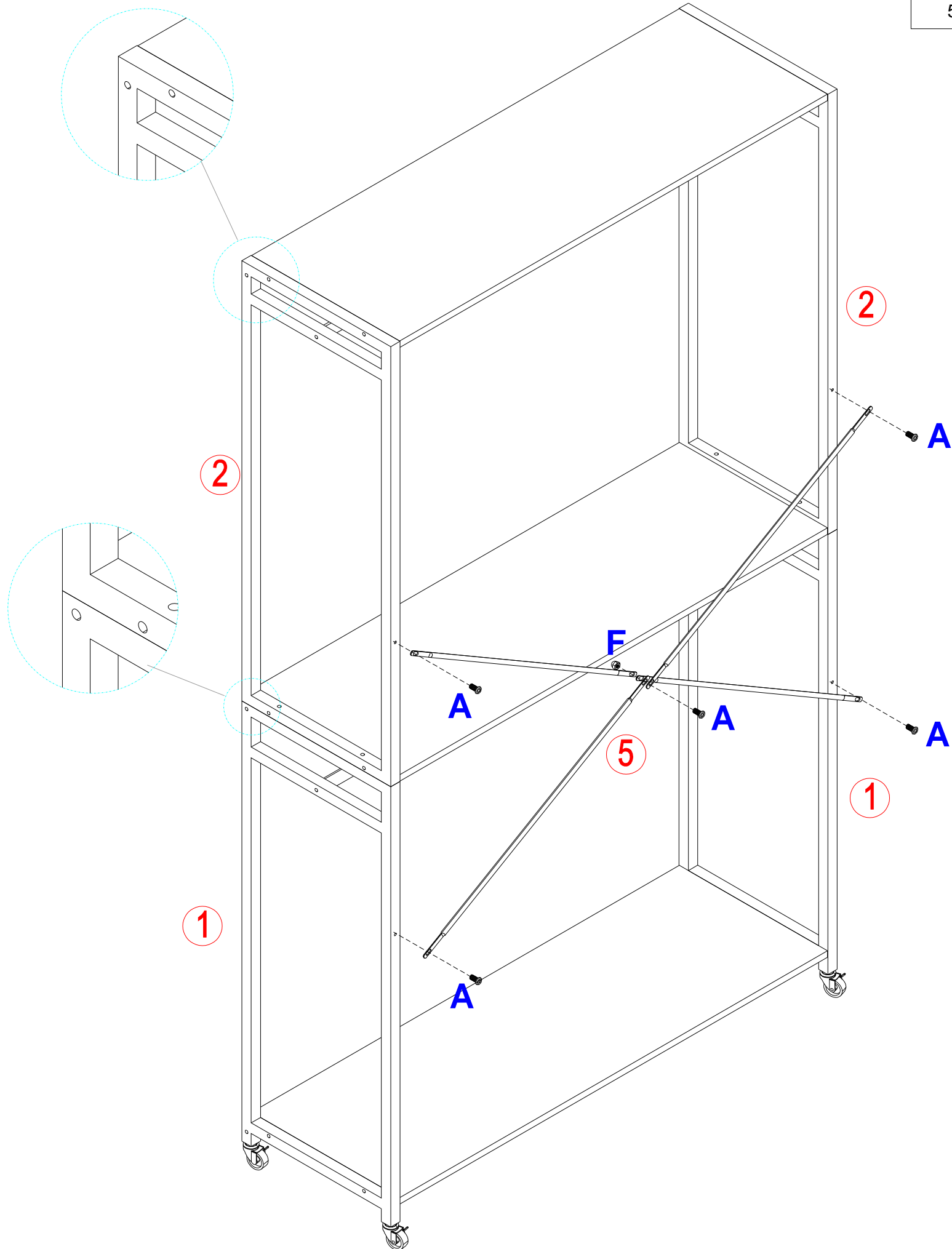
B	M6x35	D	M6x55
			
2 PCS		4 PCS	
F	M6		
			
4 PCS			

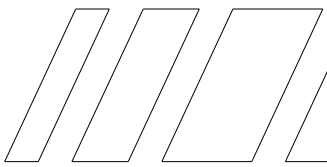


\* Please make sure the holes on frame #① and frame #② are facing the same direction.

7

A M6x12	F M6
	
5 PCS	1 PCS





8

