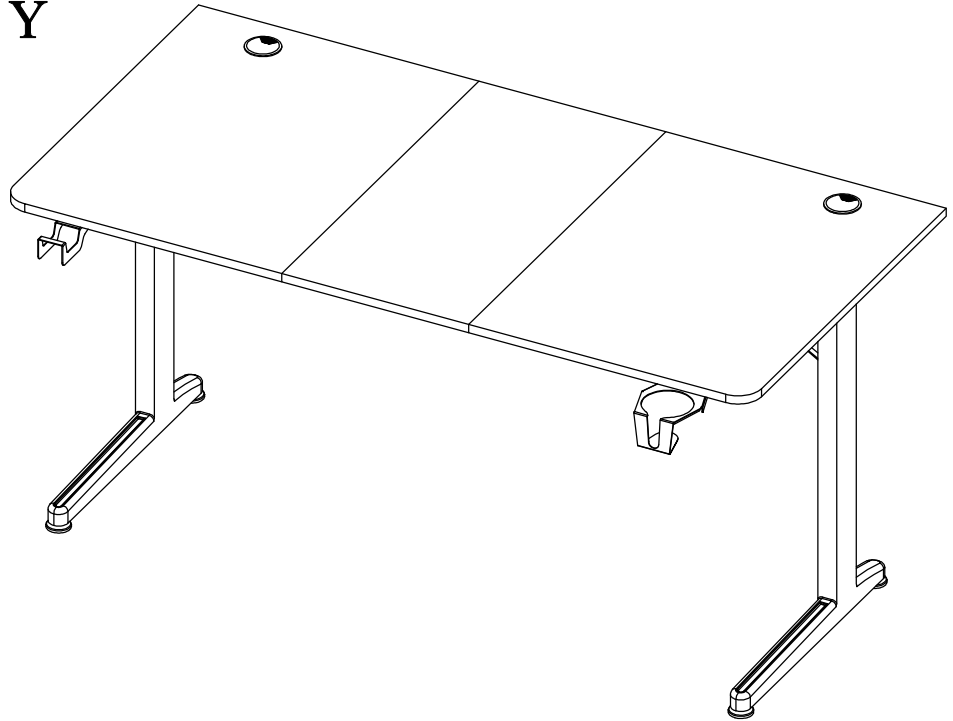




**TS500026**

**T O P S K Y**



## **DO NOT RETURN !!!**

**Please contact our service team with Order-ID. And if that is possible, pictures or detail of issue will be helpful for a fast way solution.**

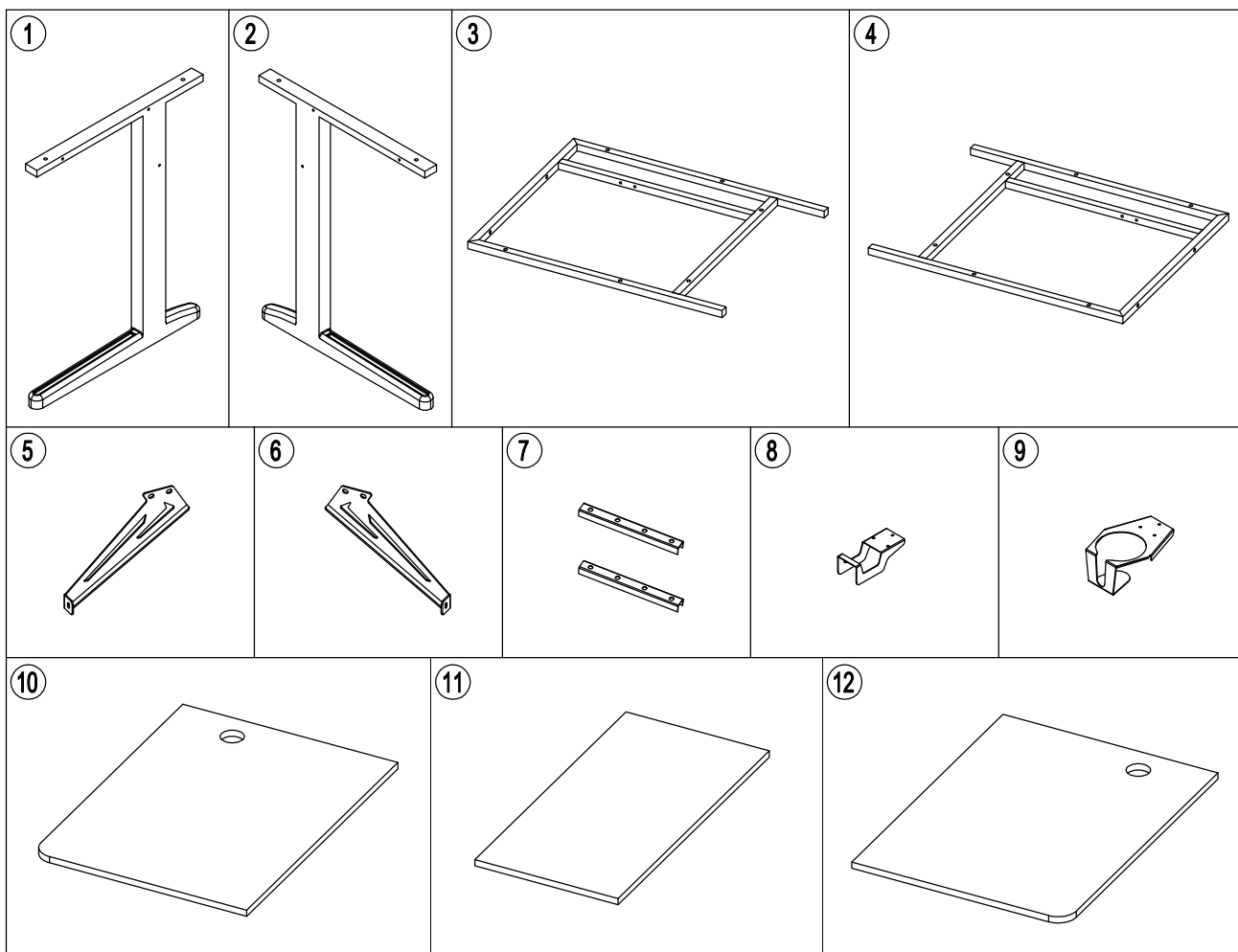
**service@topskyfurniture.com**  
**Phone number: +1 725-333-1988**







### **Special Warnings**

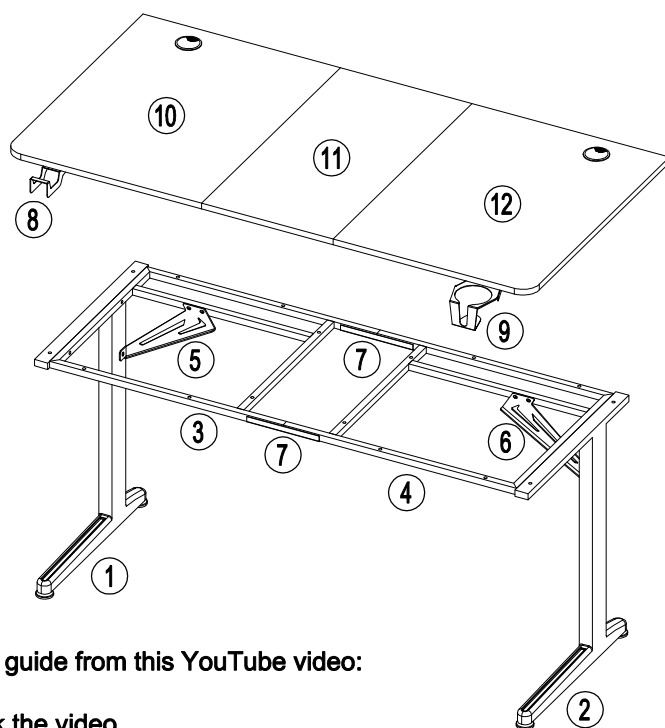
- Keep your furniture out of direct sunlight. Please use desk pads and coasters to protect the surface from dents, scratches, and moisture from hot or cold liquids.
- For cleaning, wipe the surface with a damp (not wet) cloth or wipe dry with a clean lint free cotton cloth. Window cleaning liquid or a similar cleaning liquid can be used to clean glass surface.

### **Operation Instructions**

- Please check that all parts are present before you start the assembly of your furniture. For the protection of your furniture, place all parts on a clean and smooth surface to prevent any damage.
- Please periodically check all fitting and re-tighten as necessary.
- Please assemble the table by 2 persons or more.
- Do NOT over tighten hardware.



Part.	Item.	QTY.	
A	M3.5X14	6	
B	M6X30	20	
C	M6X12	14	
D	M8Xφ50	4	
E	φ60	2	
F		1	

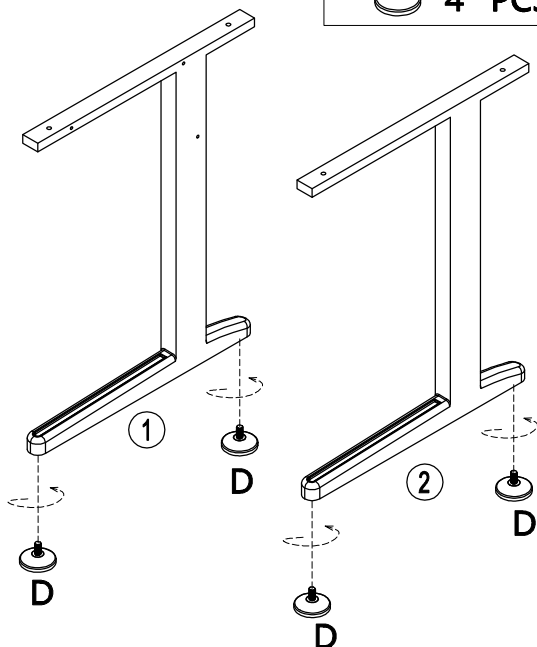


You can check the installation guide from this YouTube video:  
<https://youtu.be/IWZBa-AlcQu>  
 Or scan this QR code to check the video.

## 1

.SCREWS

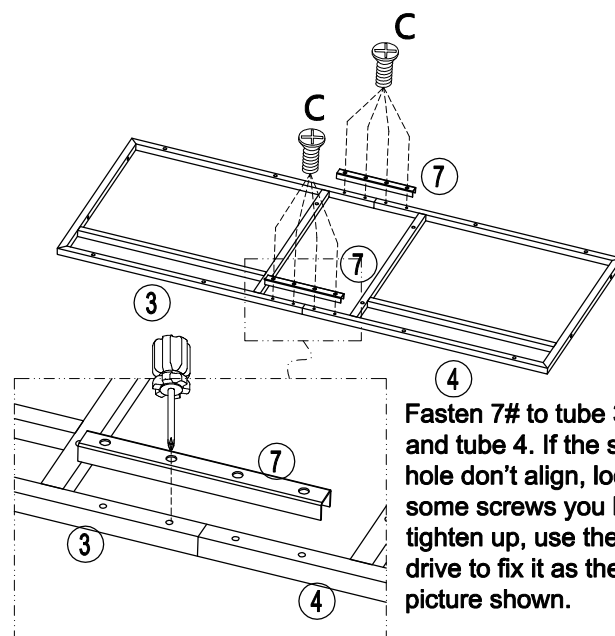
D M8Xφ50  
4 PCS



## 2

.SCREWS

C M6X12  
8 PCS

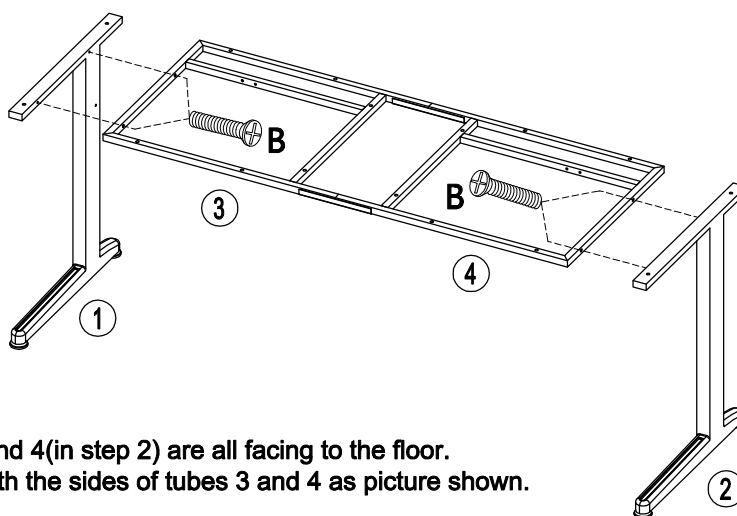


Fasten 7# to tube 3 and tube 4. If the screw hole don't align, loose some screws you have tighten up, use the drive to fix it as the picture shown.

## 3

.SCREWS

B M6X30  
4 PCS



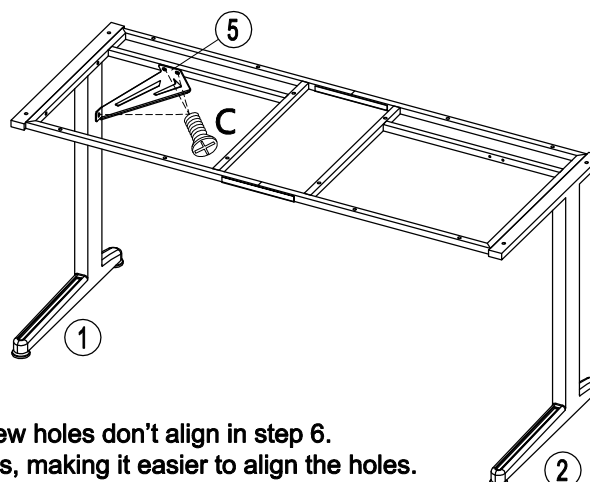
\*Please check these two points:

1. The screws assembled on the tubes 3 and 4(in step 2) are all facing to the floor.
2. The tubes above the legs are aligned with the sides of tubes 3 and 4 as picture shown.

## 4

.SCREWS

C M6X12  
3 PCS



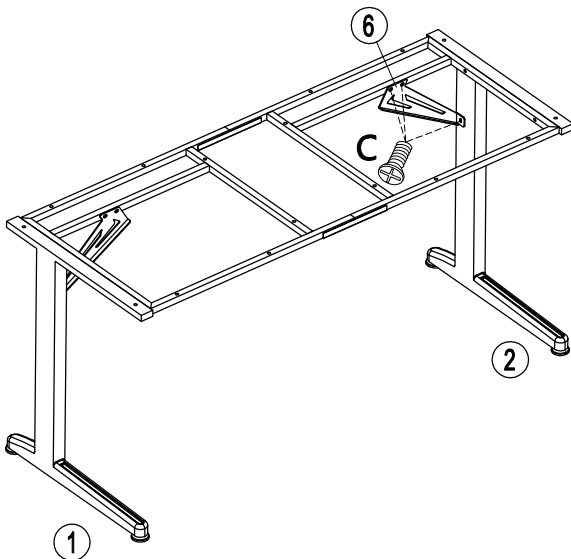
\*Please note these two points:

1. Avoid excessive tightening screws, that may cause screw holes don't align in step 6.
2. you can adjust the angle of the foot outwards or inwards, making it easier to align the holes.

5

.SCREWS

C M6X12  
3 PCS



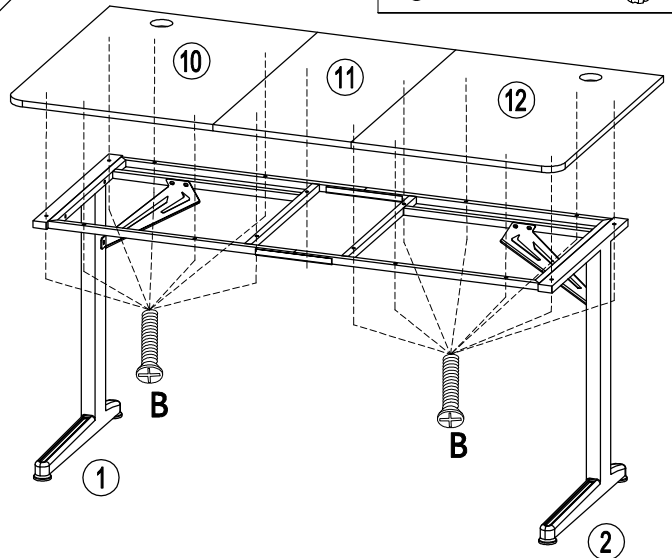
\*Please note these two points:

1. Avoid excessive tightening screws, that may cause screw holes don't align in step 6.
2. you can adjust the angle of the foot outwards or inwards, making it easier to align the holes.

6

.SCREWS

B M6X30  
16 PCS



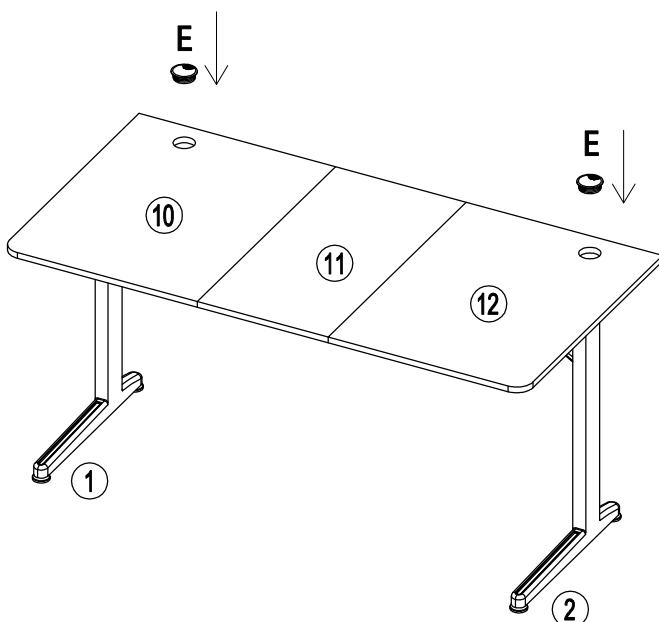
Avoid excessive tightening screws before all the screws have all screws are screwed into the screw holes correctly.

\*After step6, you can tighten up all the screws you have left.

7

.SCREWS

E  $\phi$ 60  
2 PCS



8

.SCREWS

A M3.5X14  
6 PCS

