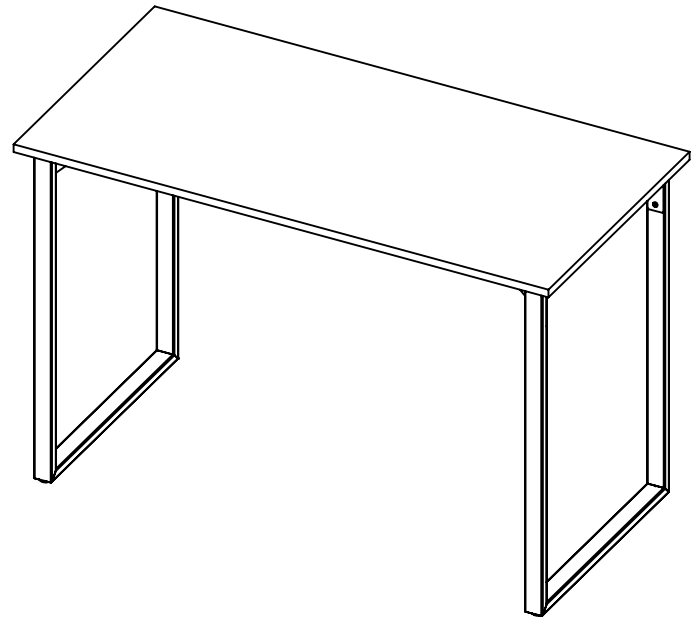


**TS500030GRA**

T O P S K Y



## **DO NOT RETURN !!!**

**Please contact our service team with Order-ID. And if that is possible, pictures or detail of issue will be helpful for a fast way solution.**

**[service@topskyfurniture.com](mailto:service@topskyfurniture.com)**

**Phone number: +1 725-333-1988**

### **Special Warnings**

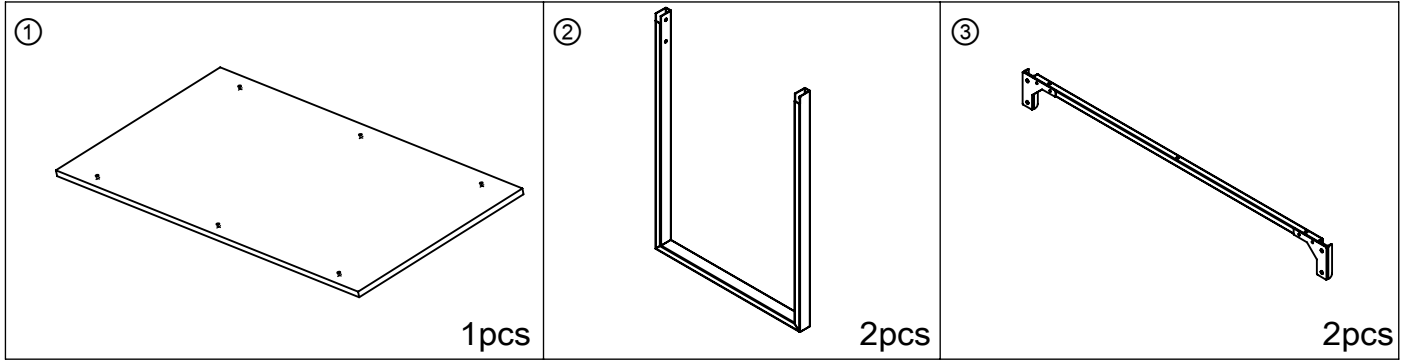
- Keep your furniture out of direct sunlight. Please use desk pads and coasters to protect the surface from dents, scratches, and moisture from hot or cold liquids.
- For cleaning, wipe the surface with a damp (not wet) cloth or wipe dry with a clean lint free cotton cloth. Window cleaning liquid or a similar cleaning liquid can be used to clean glass surface.

### **Operation Instructions**

- Please check that all parts are present before you start the assembly of your furniture. For the protection of your furniture, place all parts on a clean and smooth surface to prevent any damage.
- Please periodically check all fitting and re-tighten as necessary.
- Please assemble the table by 2 persons or more.
- Do NOT over tighten hardware.

# TS500030GRA

P.2



Part.	Item.	QTY	
A	M6x32	6	
B	M6x12	8	
C	M8	4	
D	ALLEN KEY M6	1	

