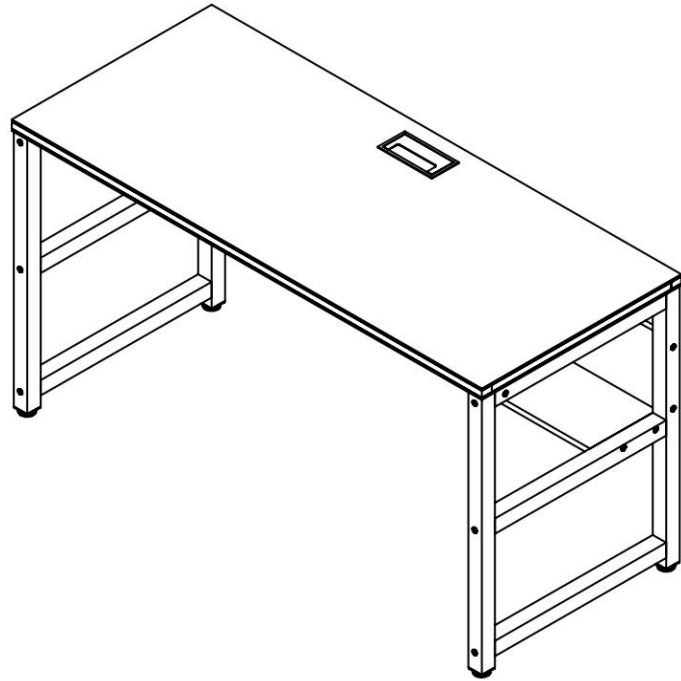


T O P S K Y

**TS500012**

**TS500014**



## **DO NOT RETURN !!!**

**Please contact our service team with Order-ID. And if that is possible, pictures or detail of issue will be helpful for a fast way solution.**

**[service@topskyfurniture.com](mailto:service@topskyfurniture.com)**


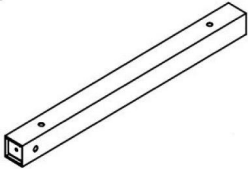
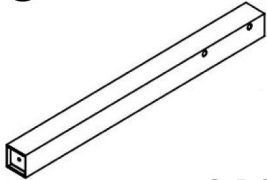
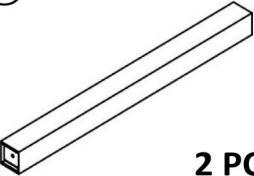

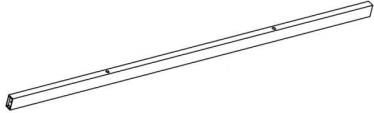
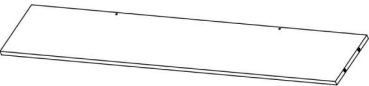

















**Phone number: +1 725-333-1988**

### **Special Warnings**

- Keep your furniture out of direct sunlight. Please use desk pads and coasters to protect the surface from dents, scratches, and moisture from hot or cold liquids.
- For cleaning, wipe the surface with a damp (not wet) cloth or wipe dry with a clean lint free cotton cloth. Window cleaning liquid or a similar cleaning liquid can be used to clean glass surface.

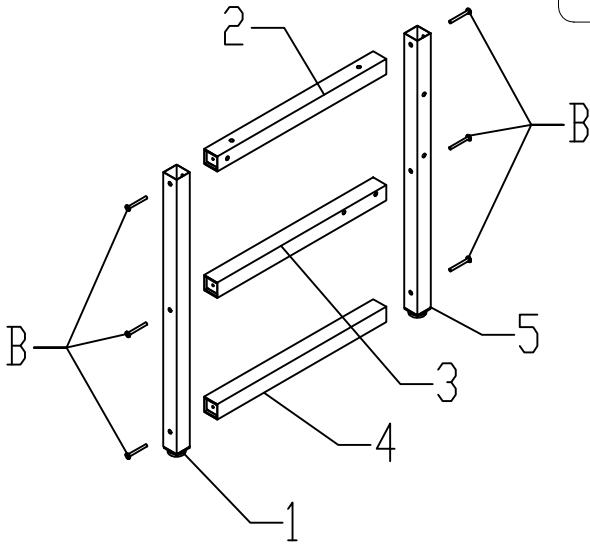
### **Operation Instructions**

- Please check that all parts are present before you start the assembly of your furniture. For the protection of your furniture, place all parts on a clean and smooth surface to prevent any damage.
- Please periodically check all fitting and re-tighten as necessary.
- Please assemble the table by 2 persons or more.
- Do NOT over tighten hardware.

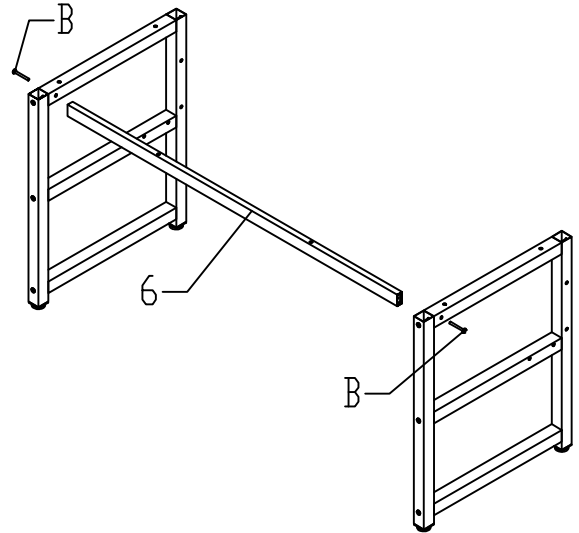
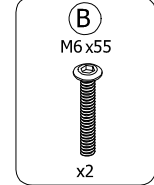
<p>①</p>  <p><b>2 PCS</b></p>	<p>②</p>  <p><b>2 PCS</b></p>	<p>③</p>  <p><b>2 PCS</b></p>																								
<p>④</p>  <p><b>2 PCS</b></p>	<p>⑤</p>  <p><b>2 PCS</b></p>	<p>⑥</p>  <p><b>1 PCS</b></p>																								
<p>⑦</p>  <p><b>1 PCS</b></p>	<table border="1" style="width: 100%; border-collapse: collapse;"> <thead> <tr> <th>Part.</th> <th>Item.</th> <th>QTY</th> <th></th> </tr> </thead> <tbody> <tr> <td>A</td> <td>Wire Box</td> <td>1</td> <td></td> </tr> <tr> <td>B</td> <td>M6*55</td> <td>28</td> <td></td> </tr> <tr> <td>C</td> <td>M5*38</td> <td>2</td> <td></td> </tr> <tr> <td>D</td> <td>Allen Key M6</td> <td>1</td> <td></td> </tr> <tr> <td>E</td> <td>Allen Key M5</td> <td>1</td> <td></td> </tr> </tbody> </table>		Part.	Item.	QTY		A	Wire Box	1		B	M6*55	28		C	M5*38	2		D	Allen Key M6	1		E	Allen Key M5	1	
Part.	Item.	QTY																								
A	Wire Box	1																								
B	M6*55	28																								
C	M5*38	2																								
D	Allen Key M6	1																								
E	Allen Key M5	1																								
<p>⑧</p>  <p><b>1 PCS</b></p>																										
<p>⑨</p>  <p><b>1 PCS</b></p>																										

- Please make sure all screws have fitted into the holes properly.
- Take note that screws can't be tightened before the whole assembling complete.

1



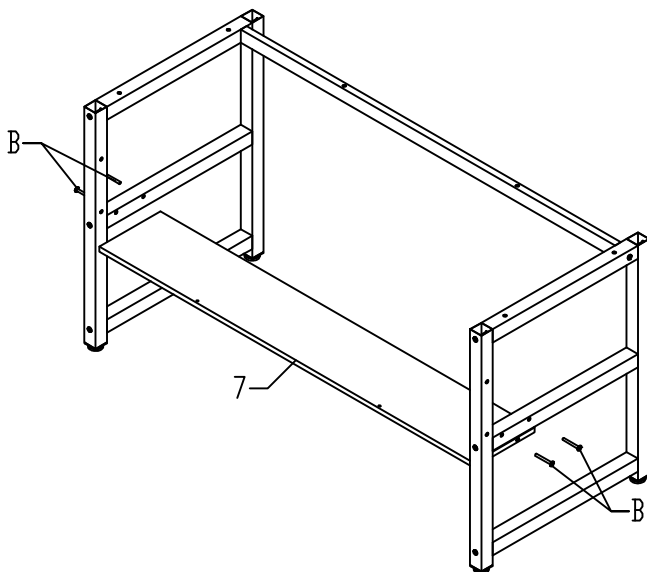
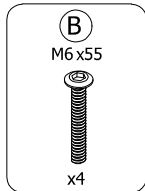
2



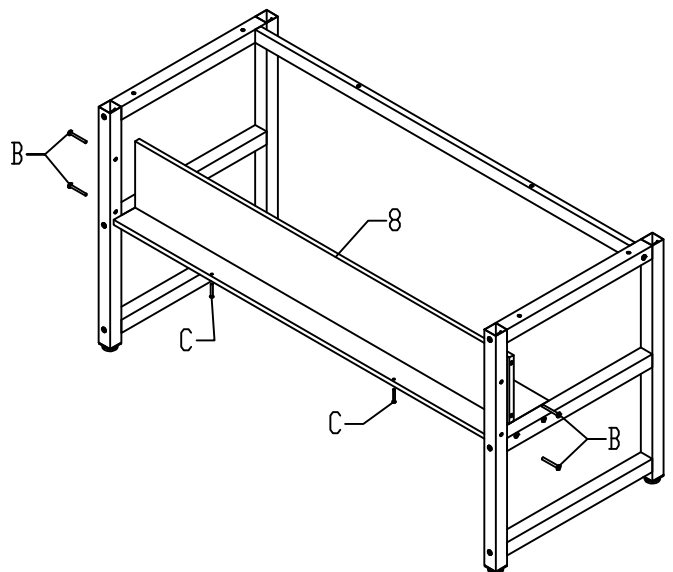
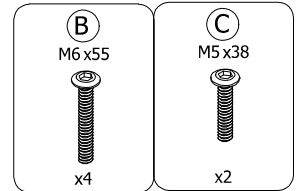
Pay attention to the installation according to the hole orientation as the picture. Especially the difference between No. 1 and No. 5

Avoid excessive tightening screws

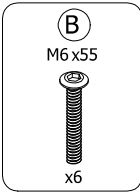
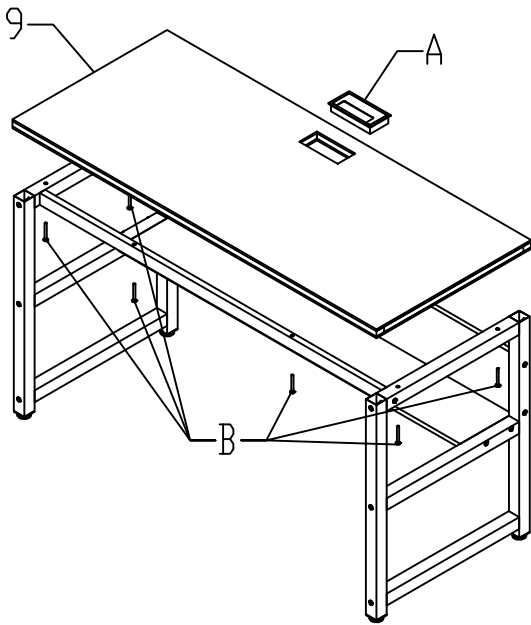
3



4



5



6

