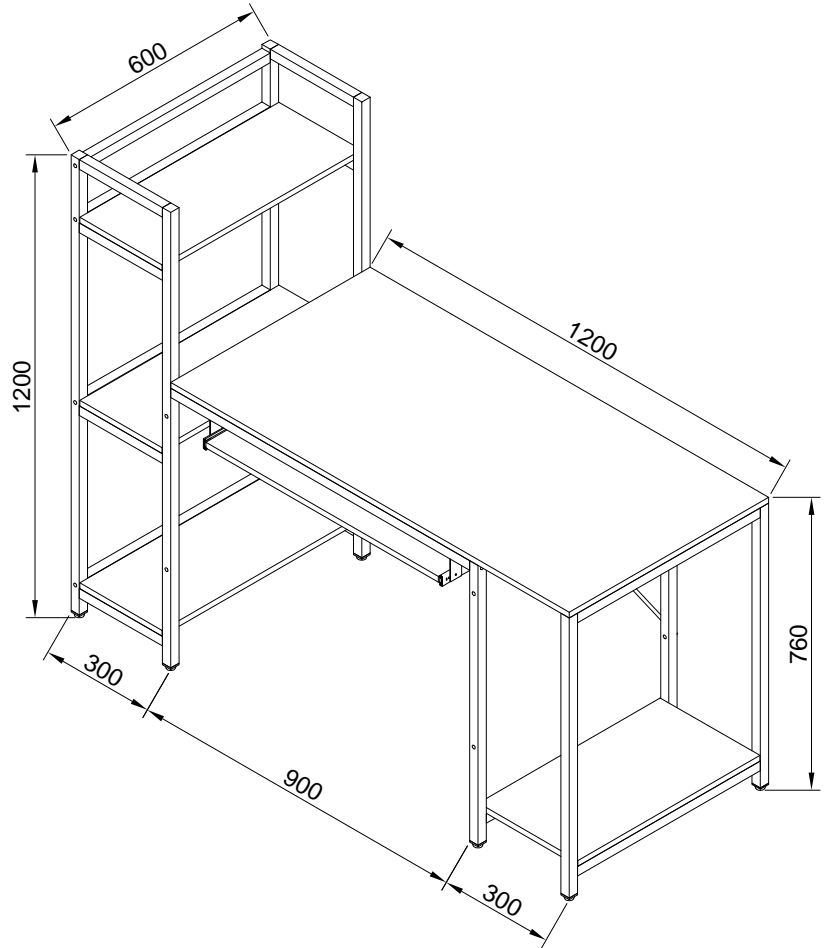


T O P S K Y



## CT-3337A

### **DO NOT RETURN !!!**

Please contact our service team with Order-ID. And if that is possible, pictures or detail of issue will be helpful for a fast way solution.

**[service@topskyfurniture.com](mailto:service@topskyfurniture.com)**

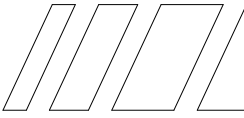
**Phone number: +1 725-333-1988**

#### **Special Warnings**

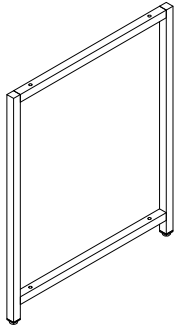
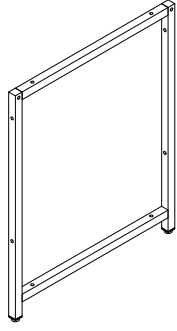
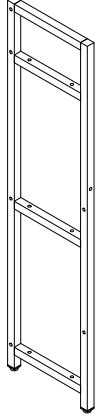
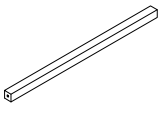
- Ø Keep your furniture out of direct sunlight. Please use desk pads and coasters to protect the surface from dents, scratches, and moisture from hot or cold liquids.
- Ø For cleaning, wipe the surface with a damp (not wet) cloth or wipe dry with a clean lint free cotton cloth. Window cleaning liquid or a similar cleaning liquid can be used to clean glass surface.

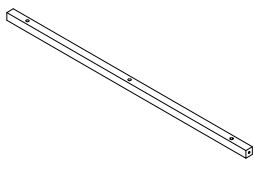
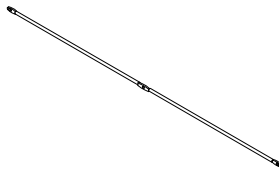
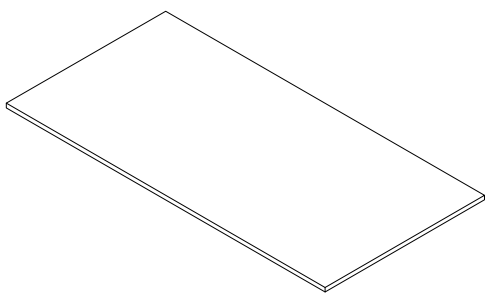
#### **Operation Instructions**

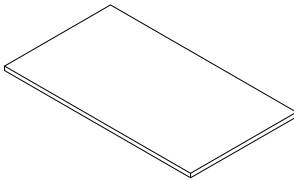
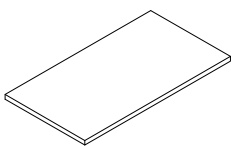
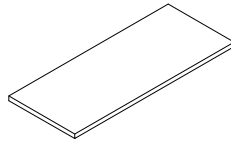
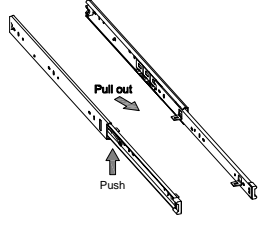

- Ø Please check that all parts are present before you start the assembly of your furniture. For the protection of your furniture, place all parts on a clean and smooth surface to prevent any damage.
- Ø Please periodically check all fitting and re-tighten as necessary.
- Ø Please assemble the table by 2 persons or more.
- Ø Do NOT over tighten hardware.

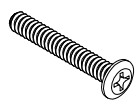
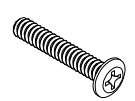


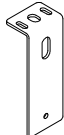


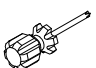




# CT-3337A

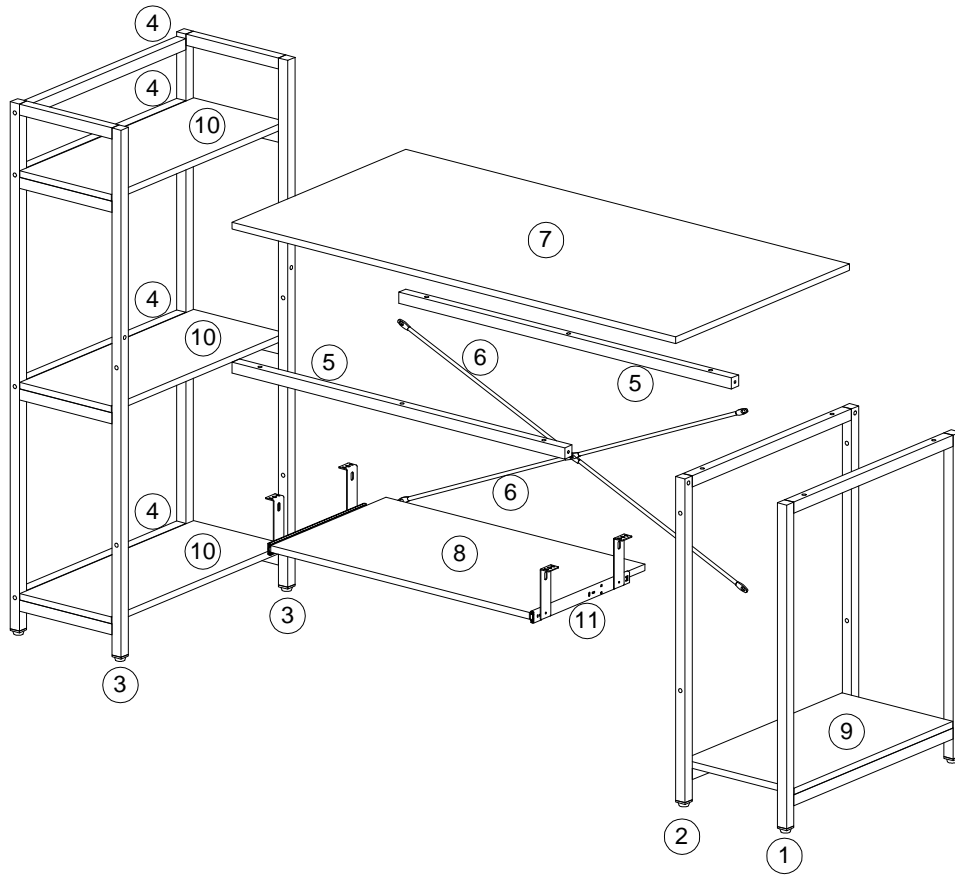
<p>① x 1pcs</p> 	<p>② x 1pcs</p> 	<p>③ x 2pcs</p> 	<p>④ x 4pcs</p> 
---	---	--	---

<p>⑤ x 2pcs</p> 	<p>⑥ x 2pcs</p> 	<p>⑦ x 1pcs</p> 
--	--	---

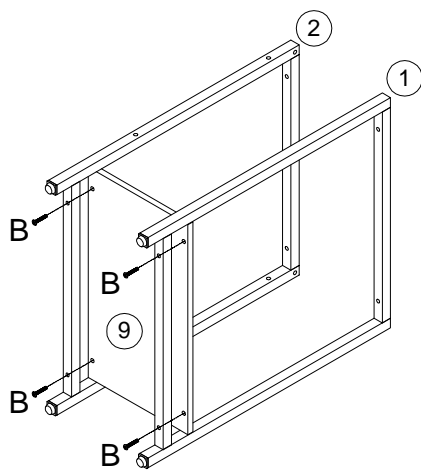
<p>⑧ x 1pcs</p> 	<p>⑨ x 1pcs</p> 	<p>⑩ x 3pcs</p> 	<p>⑪ 14"x 1pcs</p>  <p> You can refer to the following website to see "how to install the slide rail" <a href="https://youtu.be/kOvQA3W-SKg">https://youtu.be/kOvQA3W-SKg</a></p>
---	---	--	---

A x 12pcs	B x 30pcs	C x 5pcs	D x 5pcs	E x 4pcs	F x 4pcs	G x 4pcs	H x 1pcs
 M6X40	 M6X35	 M6X12	 M6		 M3.5X14	 M4X6	

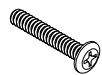
I x 1pcs	J x 9pcs		
			



1

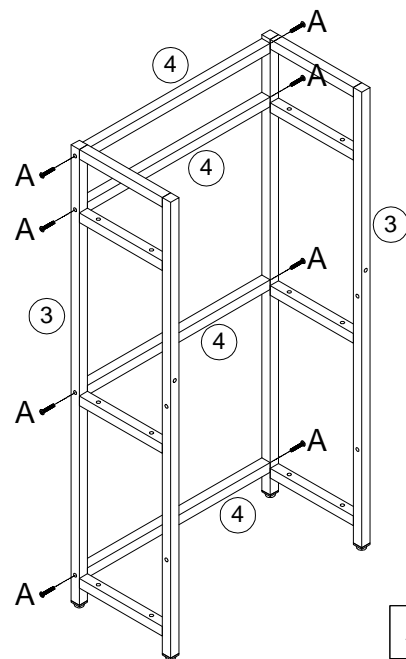


B x 4pcs

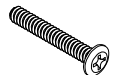


M6X35

2

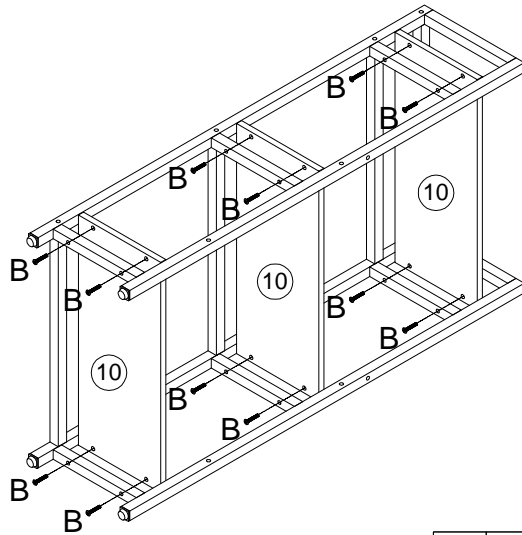


A x 8pcs



M6X40

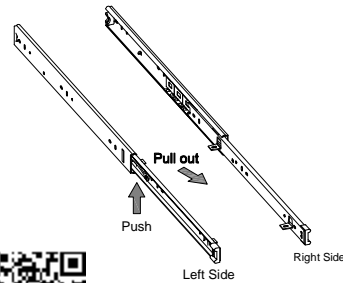
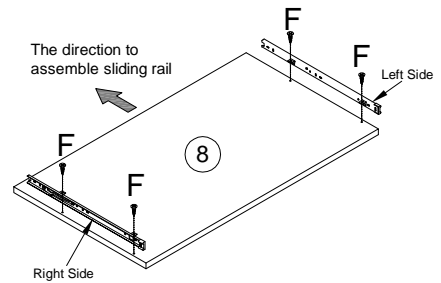
3



B x 12pcs

M6X35

4



F x 4pcs

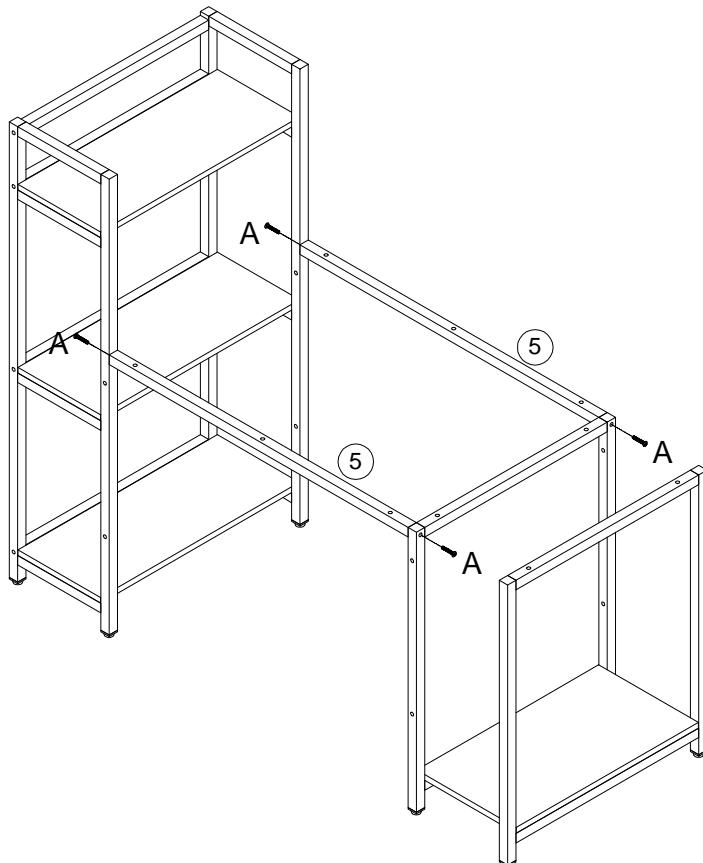


M3.5X14

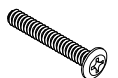


You can refer to the following website to see "how to install the slide rail"  
<https://youtu.be/kOvQA3W-SKo>

5

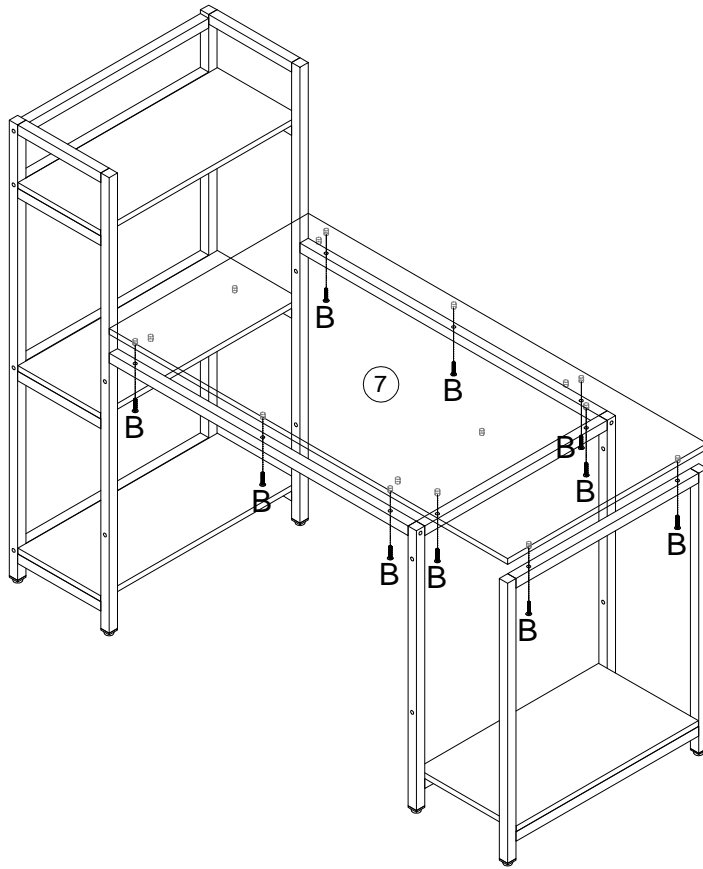


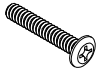
A x 4pcs



M6X40

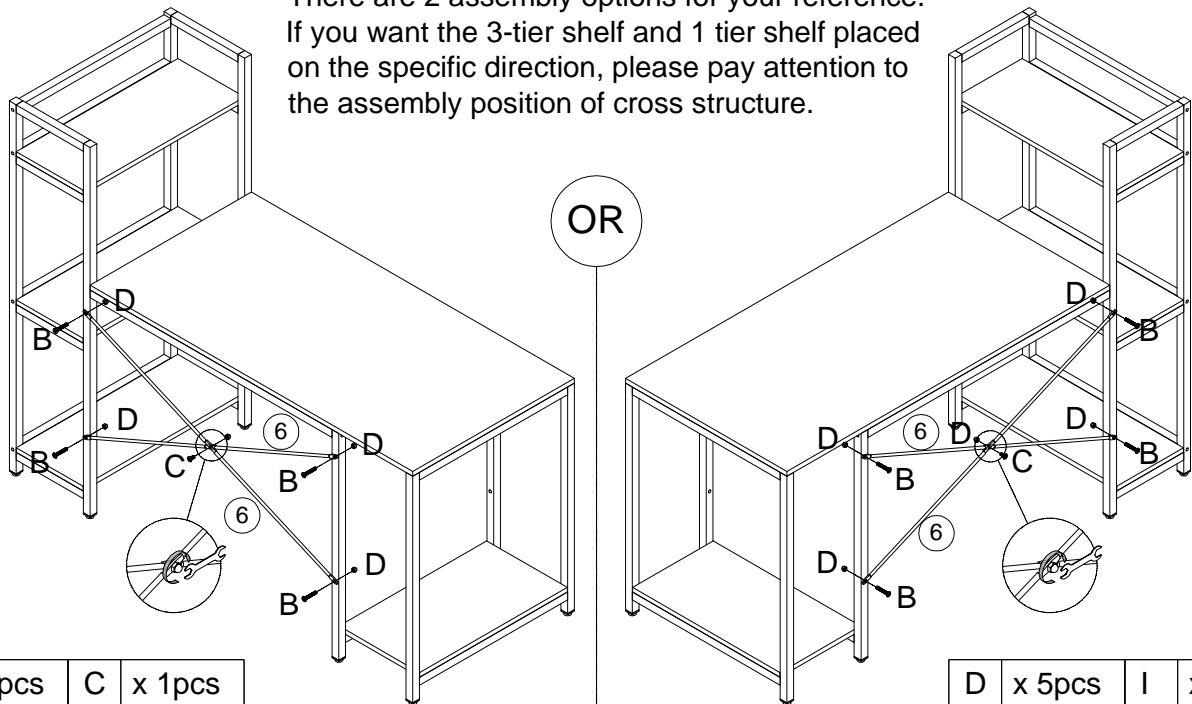
6

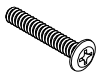





B	x 10pcs
	
M6X35	

7

There are 2 assembly options for your reference. If you want the 3-tier shelf and 1 tier shelf placed on the specific direction, please pay attention to the assembly position of cross structure.

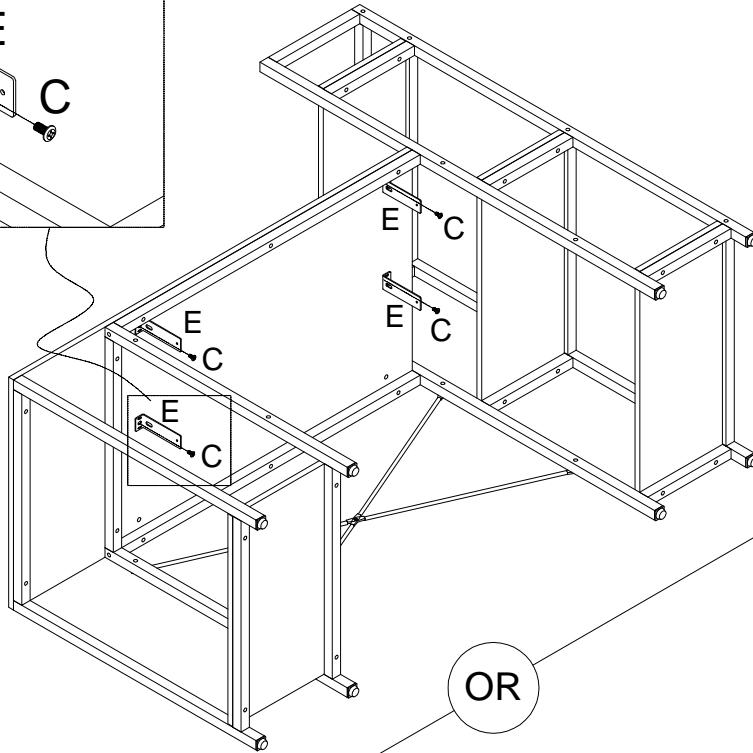
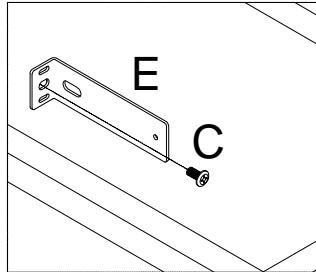


B	x 4pcs	C	x 1pcs
			
M6X35		M6X12	

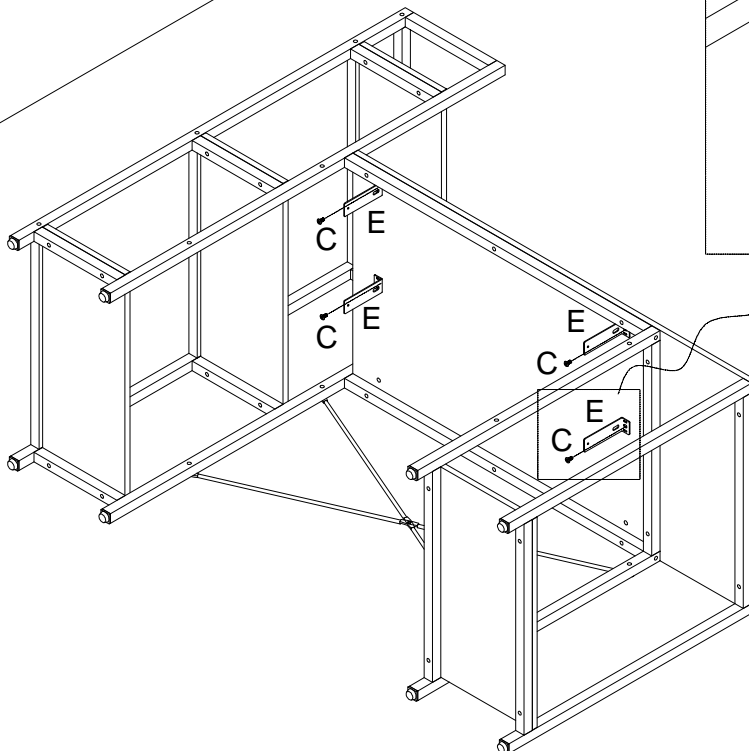
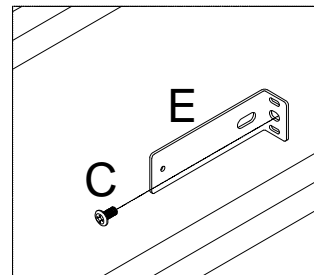
D	x 5pcs	I	x 1pcs
			
M6			

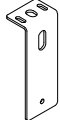

8

Please follow the assembly direction of part E, otherwise you will find the keyboard tray is not long enough to match part E at step 10.



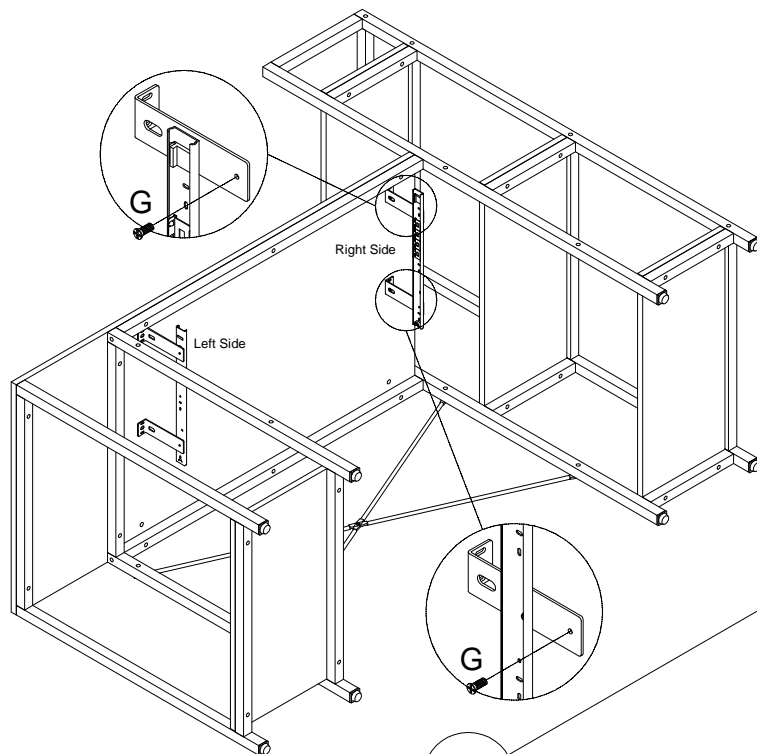
OR



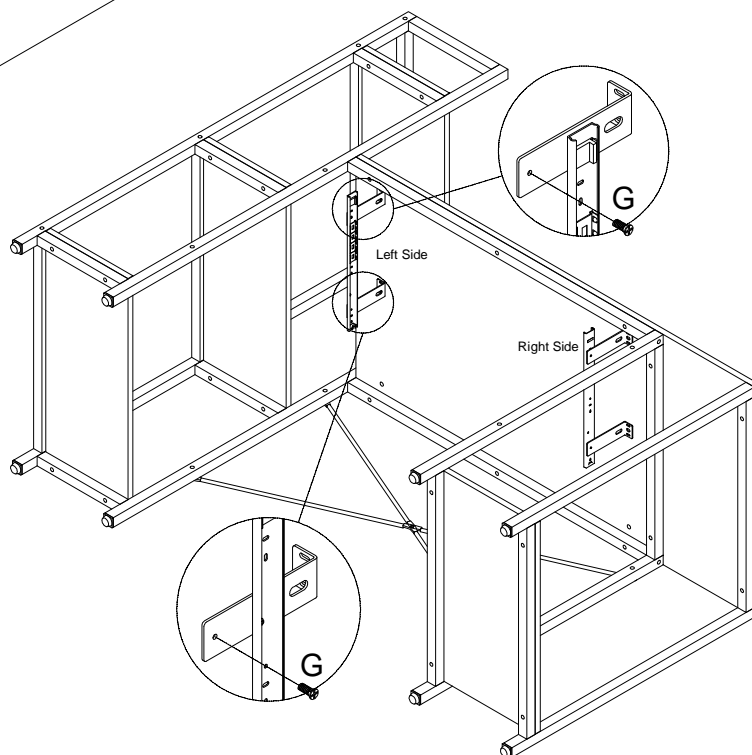
E	x 4pcs	C	x 1pcs
			
		M6X12	

9

Please follow the screw direction ,otherwise the slide rail may be stuck.



OR



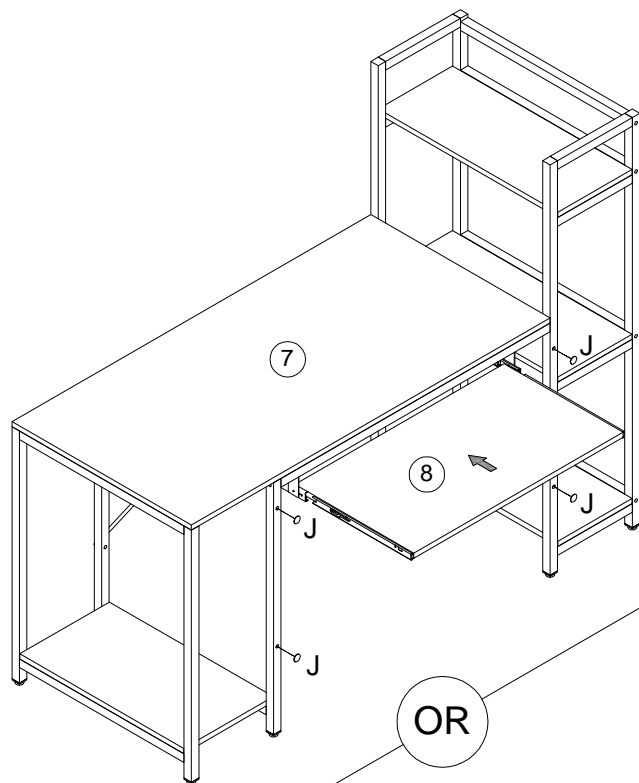
G x 4pcs



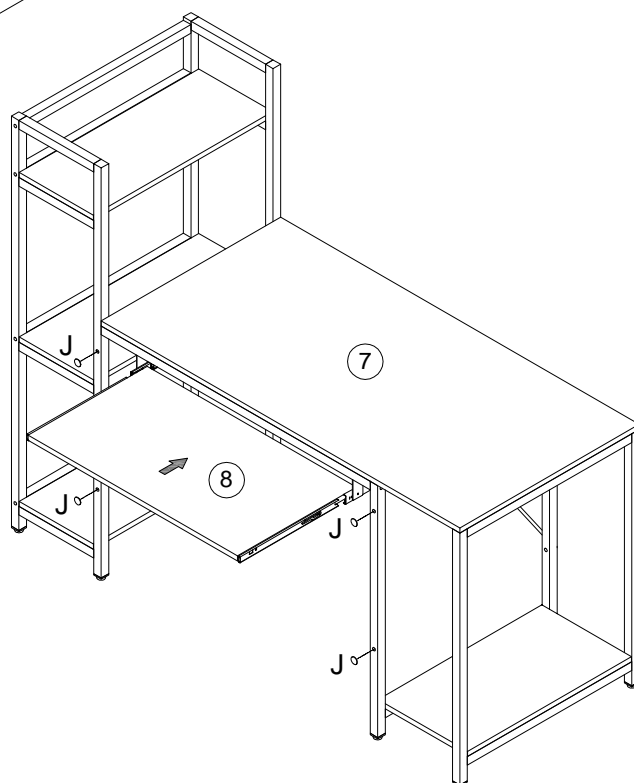
M4X6

10

To avoid assembly mistakes, some extra holes are drilled to reduce the structure discrepancy of frames. Part J is offered to stick on the hole and increases the aesthetics.



OR



J	x 9pcs
---	--------

