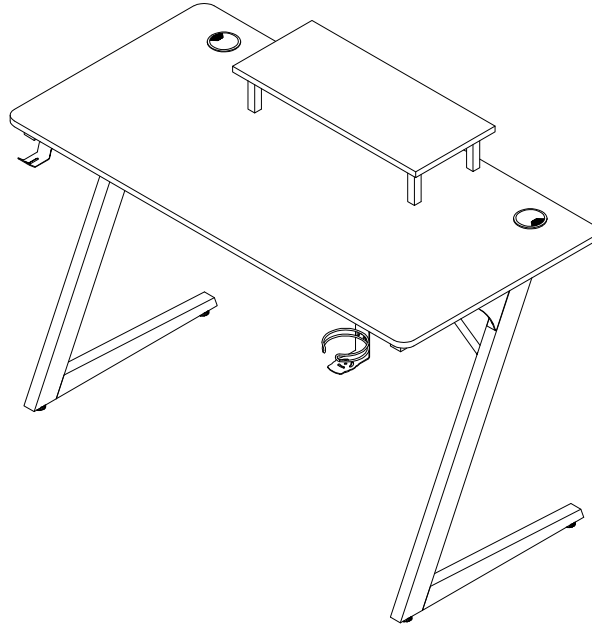




TS500037

T O P S K Y



CUSTOMER SERVICE

For fastest service on claims, request for replacement parts, or questions please visit our website at

www.topskyfurniture.com

e-mail: service@topskyfurniture.com

Phone number: +1 725-333-1988

if that is possible, order-ID, pictures or detail of issue will be helpful.

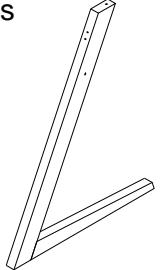
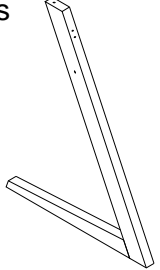
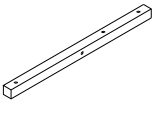
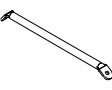


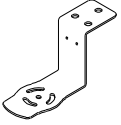

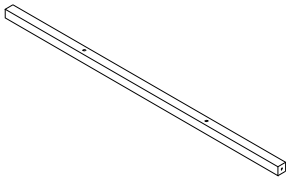
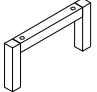
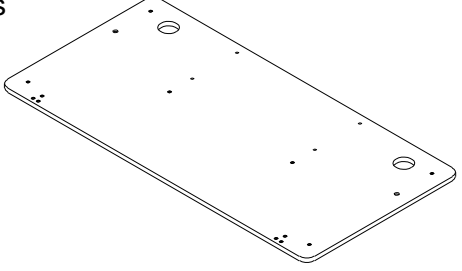
Special Warnings

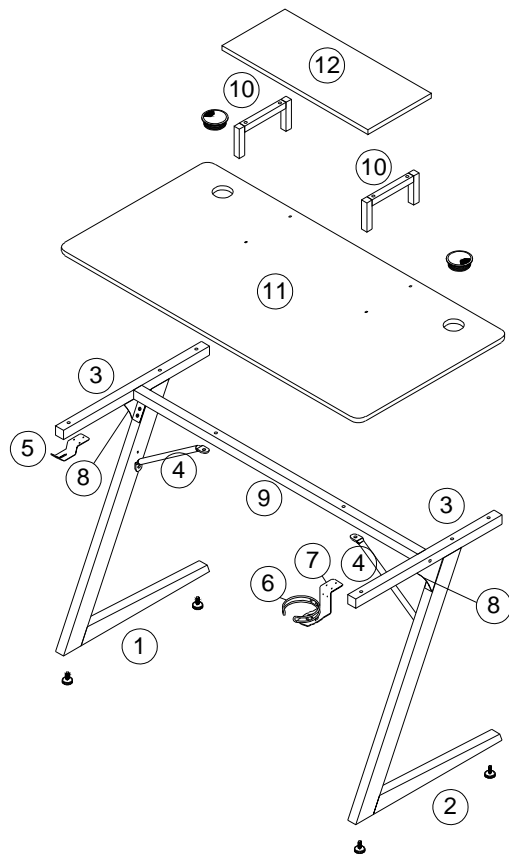
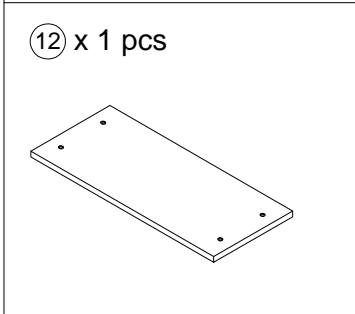
- Ø Keep your furniture out of direct sunlight. Please use desk pads and coasters to protect the surface from dents, scratches, and moisture from hot or cold liquids.
- Ø For cleaning, wipe the surface with a damp (not wet) cloth or wipe dry with a clean lint free cotton cloth. Window cleaning liquid or a similar cleaning liquid can be used to clean glass surface.


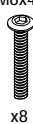






Operation Instructions

- Ø Please check that all parts are present before you start the assembly of your furniture. For the protection of your furniture, place all parts on a clean and smooth surface to prevent any damage.
- Ø Please periodically check all fitting and re-tighten as necessary.
- Ø Please assemble the table by 2 persons or more.
- Ø Do NOT over tighten hardware.

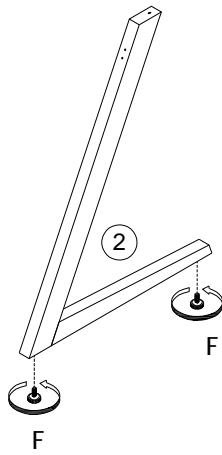
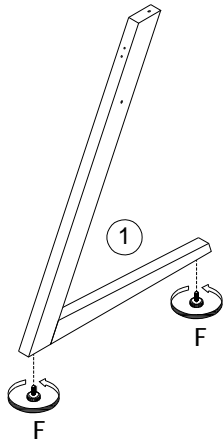
TS500037

| | | | |
|---|---|--|--|
| <p>① x 1 pcs</p>  | <p>② x 1 pcs</p>  | <p>③ x 2 pcs</p>  | <p>④ x 2 pcs</p>  |
| <p>⑤ x 1 pcs</p>  | <p>⑥ x 1 pcs</p>  | <p>⑦ x 1 pcs</p>  | <p>⑧ x 2 pcs</p>  |
| <p>⑨ x 1 pcs</p>  | <p>⑩ x 2 pcs</p>  | <p>⑪ x 1 pcs</p>  | |



| | | | |
|--|--|--|---|
| <p>A M6x50 x2</p>  | <p>B M6x40 x8</p>  | <p>C M6x30 x8</p>  | <p>D M6x12 x18</p>  |
| <p>E M4x8 x2</p>  | <p>F M8 x4</p>  | <p>G ø60 x2</p>  | <p>H x1</p>  |

1



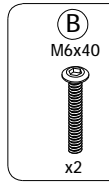
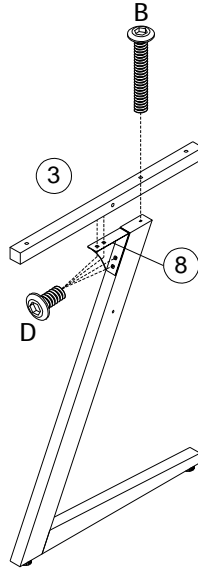
F

M8

x4



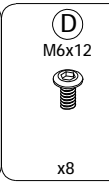
2



B

M6x40

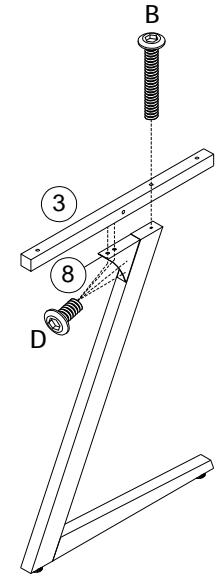
x2



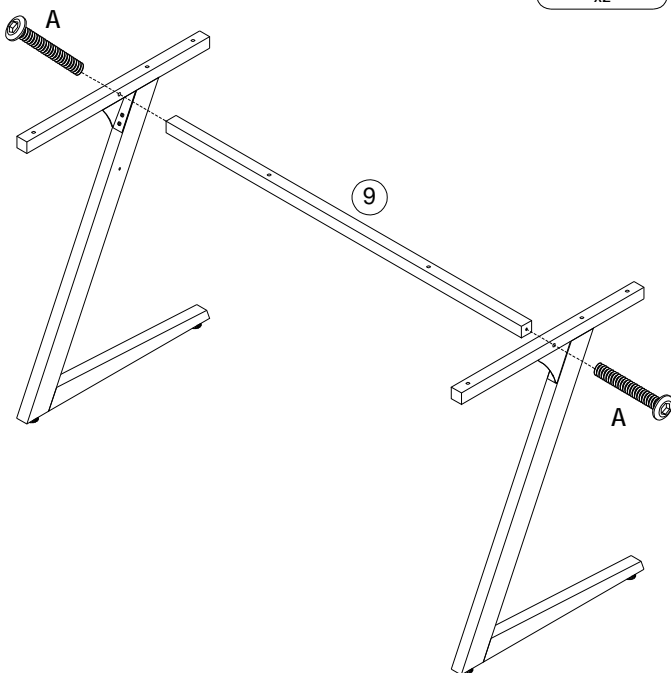
D

M6x12

x8



3



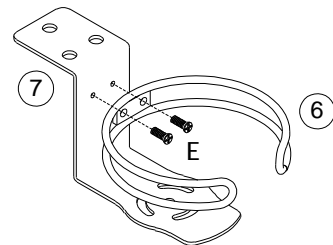
A

M6x50

x2



4



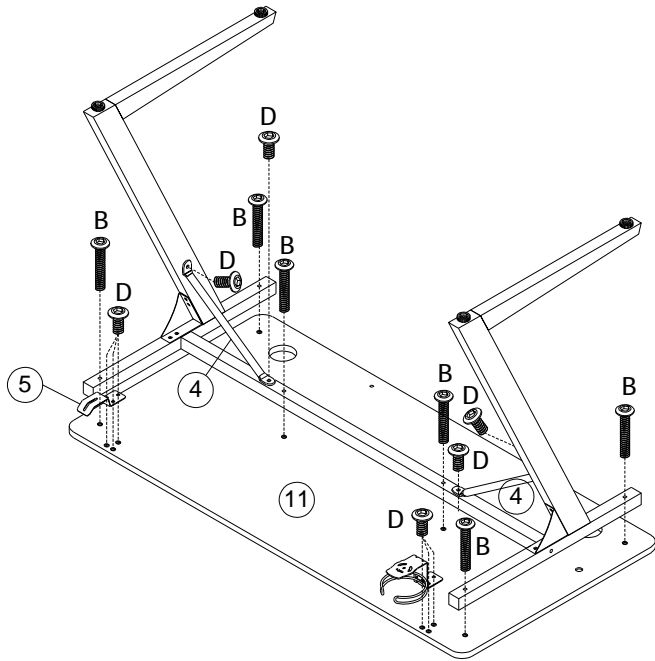
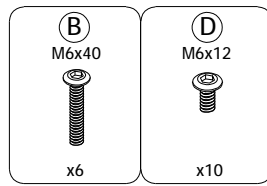
E

M4x8

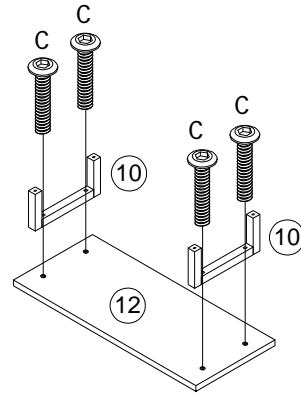
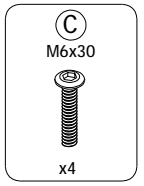
x2



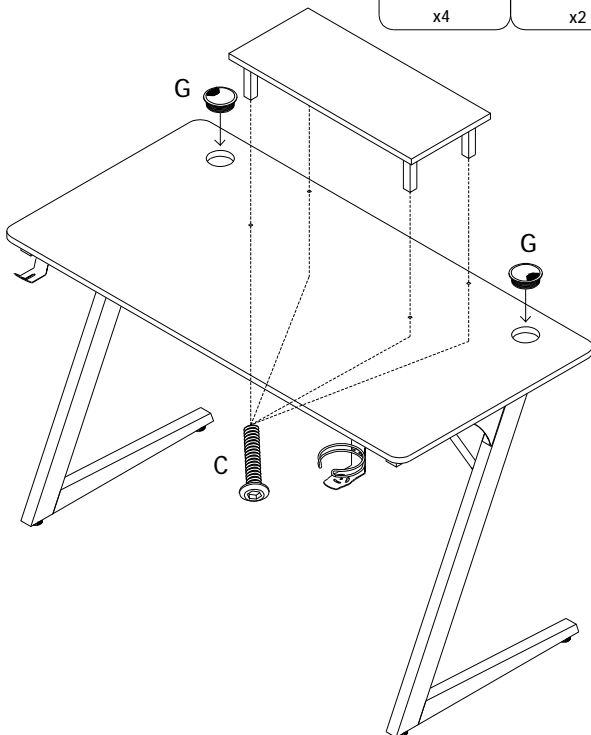
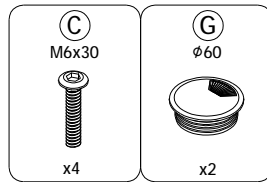
5



6



7



8

