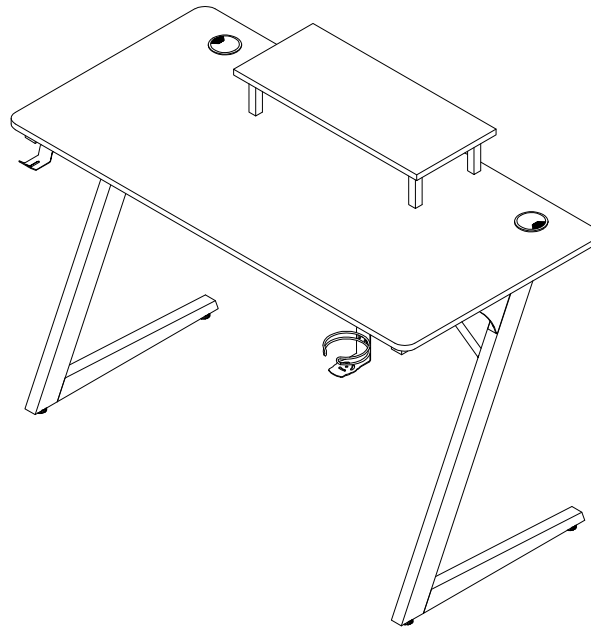




# TS500036

## T O P S K Y



## CUSTOMER SERVICE

For fastest service on claims, request for replacement parts, or questions please visit our website at

[www.topskyfurniture.com](http://www.topskyfurniture.com)

e-mail: [service@topskyfurniture.com](mailto:service@topskyfurniture.com)

Phone number: +1 725-333-1988

if that is possible, order-ID, pictures or detail of issue will be helpful.

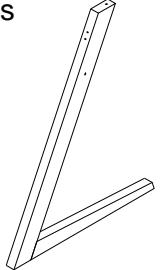
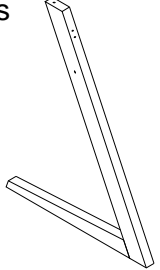
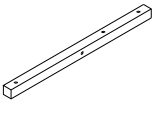
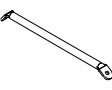


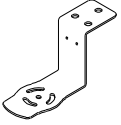

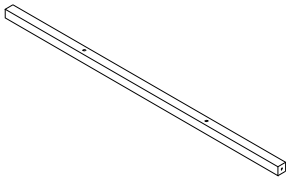
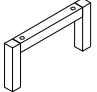
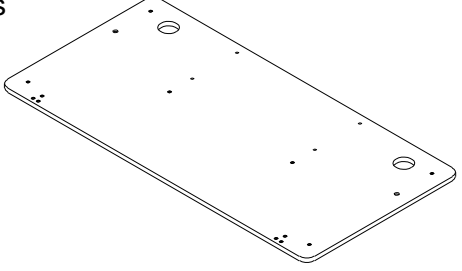
### Special Warnings

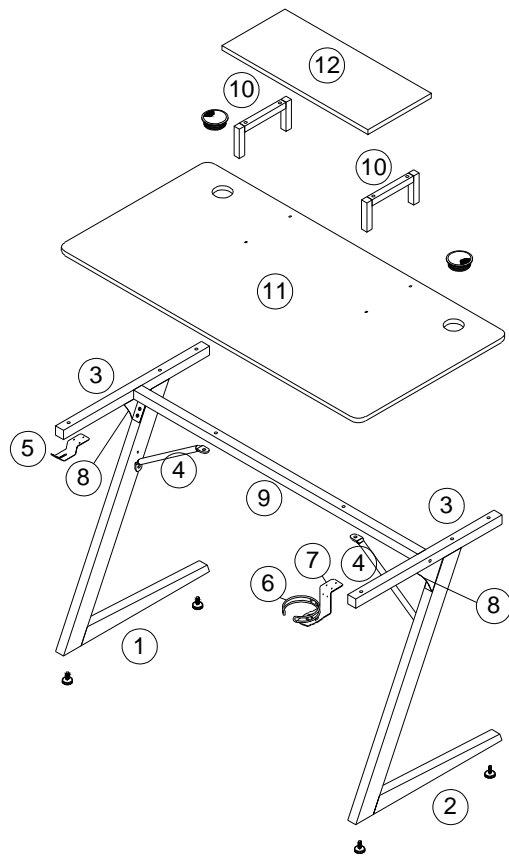
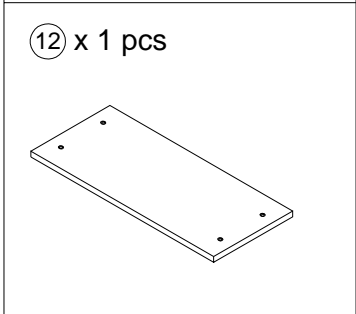
- Ø Keep your furniture out of direct sunlight. Please use desk pads and coasters to protect the surface from dents, scratches, and moisture from hot or cold liquids.
- Ø For cleaning, wipe the surface with a damp (not wet) cloth or wipe dry with a clean lint free cotton cloth. Window cleaning liquid or a similar cleaning liquid can be used to clean glass surface.


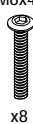






### Operation Instructions

- Ø Please check that all parts are present before you start the assembly of your furniture. For the protection of your furniture, place all parts on a clean and smooth surface to prevent any damage.
- Ø Please periodically check all fitting and re-tighten as necessary.
- Ø Please assemble the table by 2 persons or more.
- Ø Do NOT over tighten hardware.

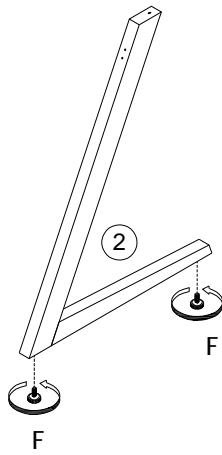
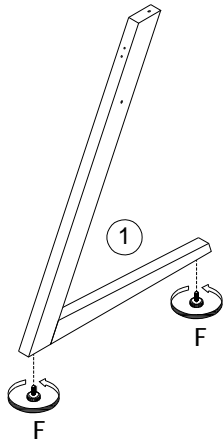
# TS500036

<p>① x 1 pcs</p> 	<p>② x 1 pcs</p> 	<p>③ x 2 pcs</p> 	<p>④ x 2 pcs</p> 
<p>⑤ x 1 pcs</p> 	<p>⑥ x 1 pcs</p> 	<p>⑦ x 1 pcs</p> 	<p>⑧ x 2 pcs</p> 
<p>⑨ x 1 pcs</p> 	<p>⑩ x 2 pcs</p> 	<p>⑪ x 1 pcs</p> 	



<p><b>A</b> M6x50 x2</p> 	<p><b>B</b> M6x40 x8</p> 	<p><b>C</b> M6x30 x8</p> 	<p><b>D</b> M6x12 x18</p> 
<p><b>E</b> M4x8 x2</p> 	<p><b>F</b> M8 x4</p> 	<p><b>G</b> ø60 x2</p> 	<p><b>H</b> x1</p> 

1

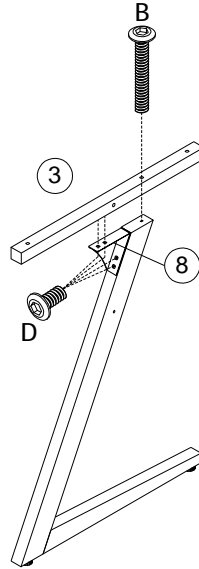


F  
M8



x4

2



B  
M6x40

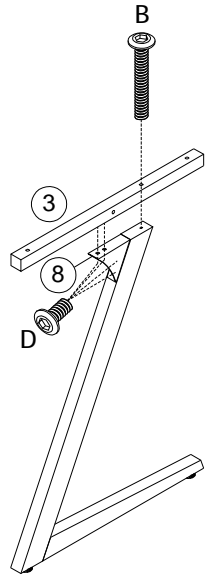


x2

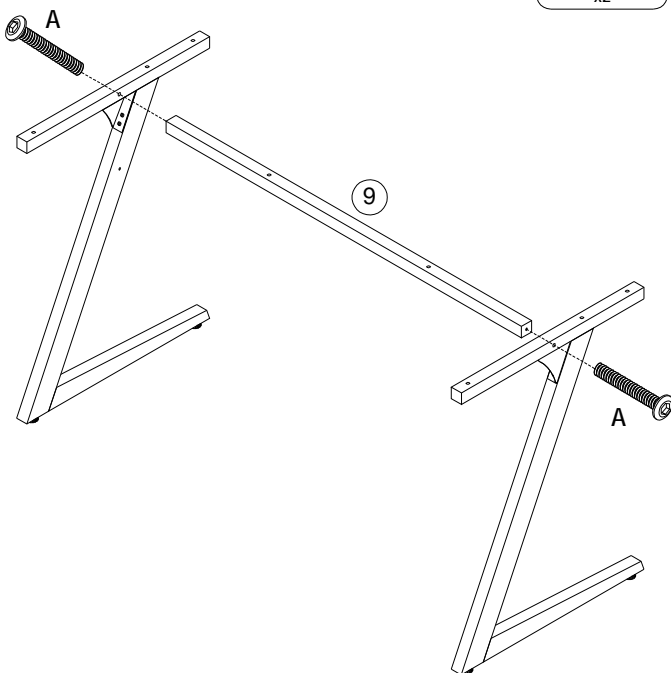
D  
M6x12



x8



3

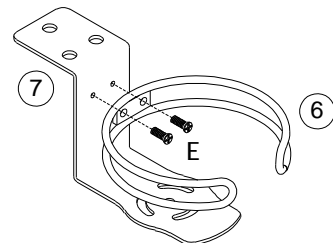


A  
M6x50



x2

4

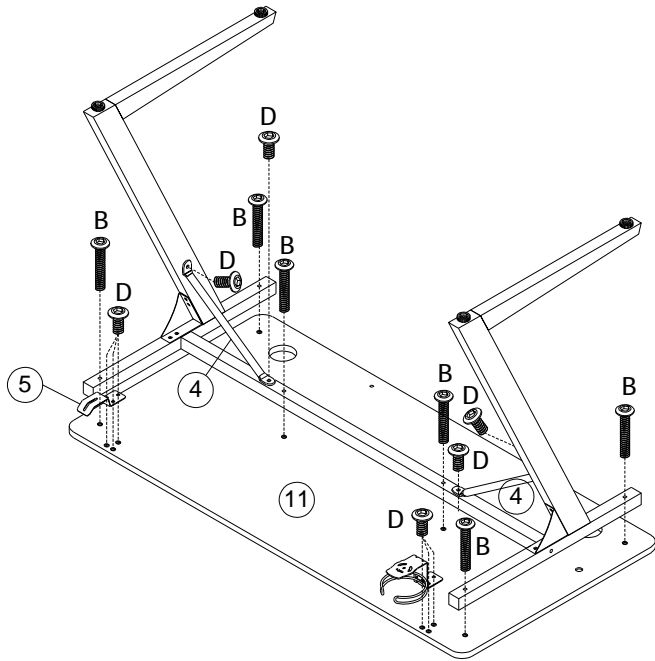
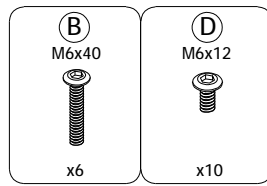


E  
M4x8

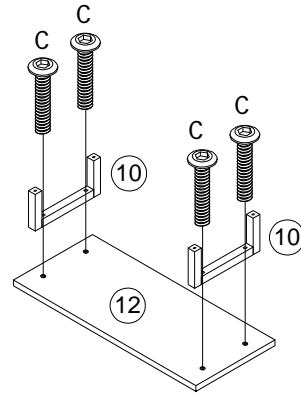
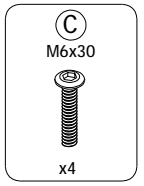


x2

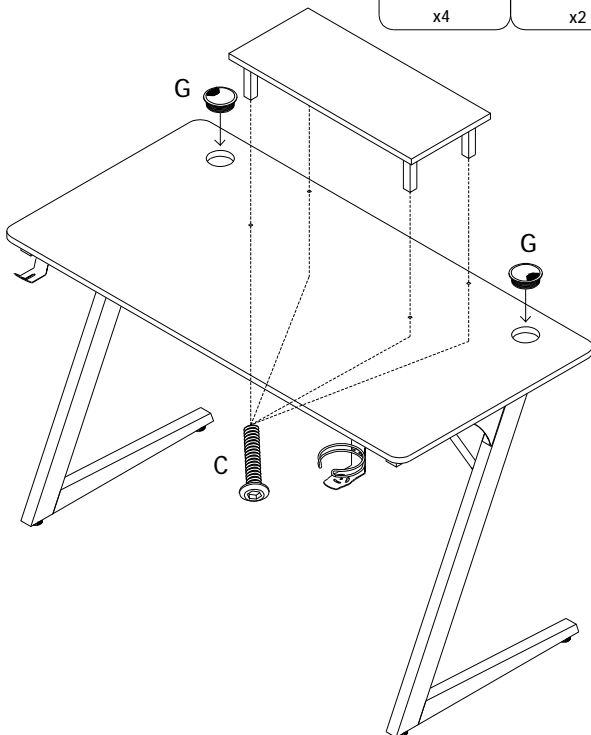
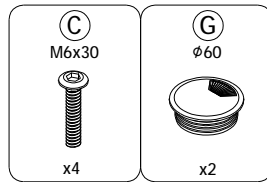
5



6



7



8

