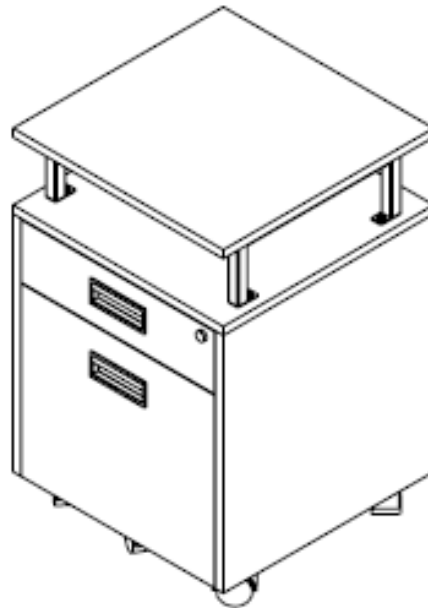




# TS500002

## T O P S K Y



### CUSTOMER SERVICE

For fastest service on claims, request for replacement parts, or questions please visit our website at

[www.topskyfurniture.com](http://www.topskyfurniture.com)

e-mail: [service@topskyfurniture.com](mailto:service@topskyfurniture.com)

Phone number: +1 725-333-1988

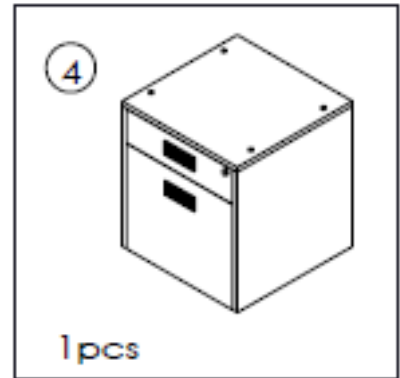
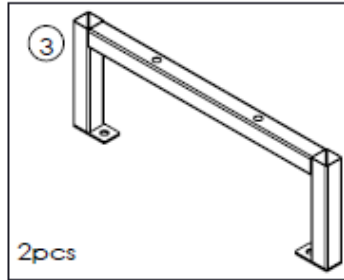
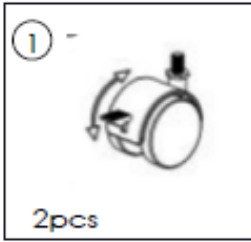
if that is possible, order-ID, pictures or detail of issue will be helpful.

#### **Special Warnings**

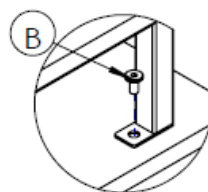
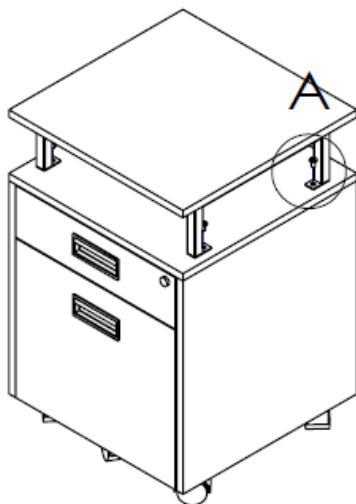
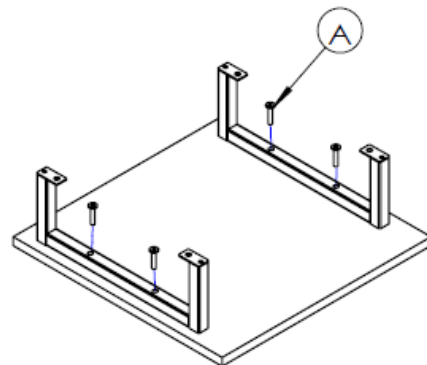
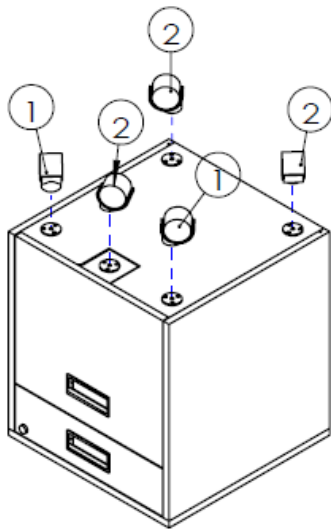
- Keep your furniture out of direct sunlight. Please use desk pads and coasters to protect the surface from dents, scratches, and moisture from hot or cold liquids.
- For cleaning, wipe the surface with a damp (not wet) cloth or wipe dry with a clean lint free cotton cloth. Window cleaning liquid or a similar cleaning liquid can be used to clean glass surface.

#### **Operation Instructions**

- Please check that all parts are present before you start the assembly of your furniture. For the protection of your furniture, place all parts on a clean and smooth surface to prevent any damage.
- Please periodically check all fitting and re-tighten as necessary.
- Please assemble the table by 2 persons or more.
- Do NOT over tighten hardware.



Part.	Item.	QTY	
A	M6*30	4	
B	M6*12	4	
C	open spanner	1	
D	Allen Key M6	1	



SCALE 1 : 5