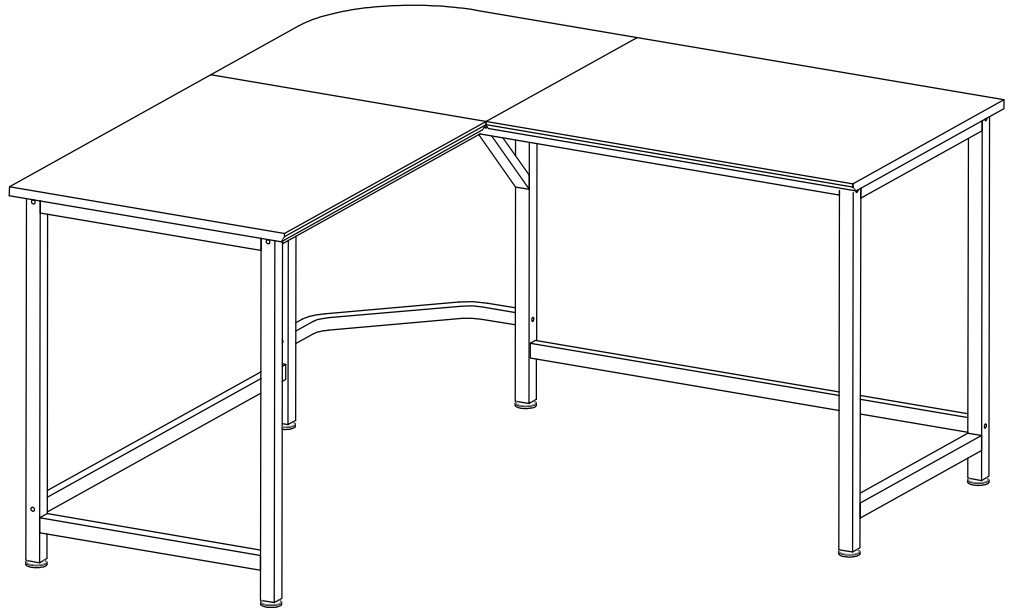




TS500004

T O P S K Y



DO NOT RETURN !!!

Please contact our service team with Order-ID. And if that is possible, pictures or detail of issue will be helpful for a fast way solution.

service@topskyfurniture.com

Phone number: +1 725-333-1988

Special Warnings

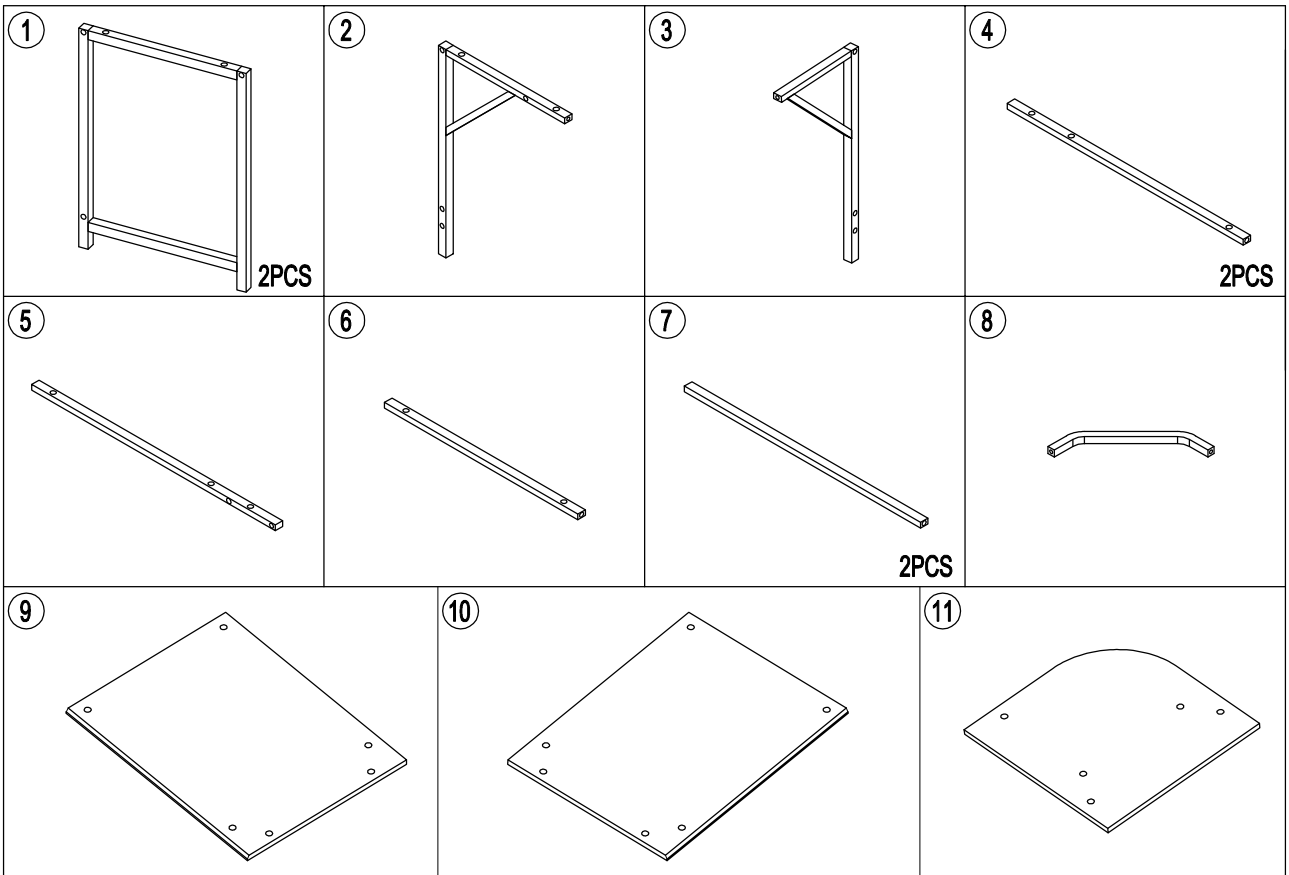
- Ø Keep your furniture out of direct sunlight. Please use desk pads and coasters to protect the surface from dents, scratches, and moisture from hot or cold liquids.
- Ø For cleaning, wipe the surface with a damp (not wet) cloth or wipe dry with a clean lint free cotton cloth. Window cleaning liquid or a similar cleaning liquid can be used to clean glass surface.




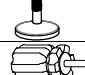

Operation Instructions

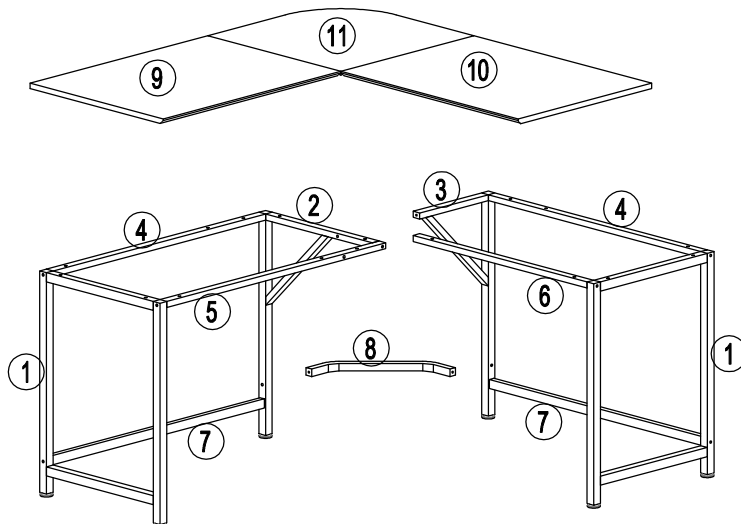
- Ø Please check that all parts are present before you start the assembly of your furniture. For the protection of your furniture, place all parts on a clean and smooth surface to prevent any damage.
- Ø Please periodically check all fitting and re-tighten as necessary.
- Ø Please assemble the table by 2 persons or more.
- Ø Do NOT over tighten hardware.

TS500004

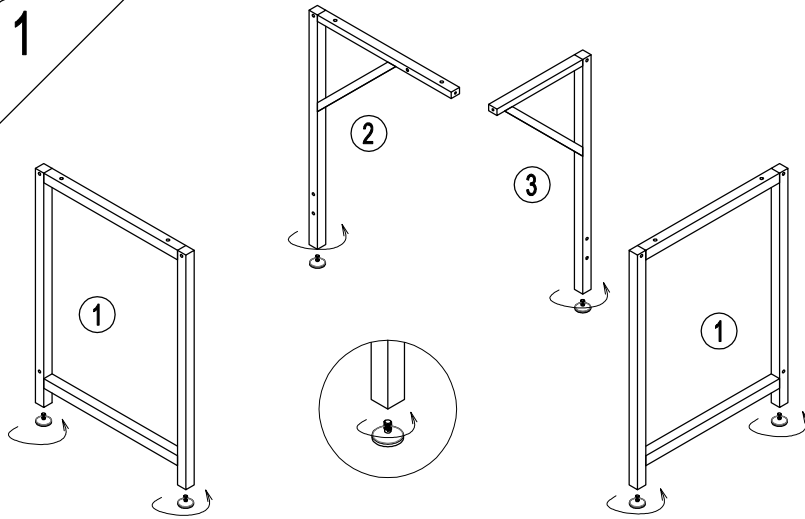
P.2



Part.	Item.	QTY.	
A	M6X45	15	
B	M6X30	13	
C	M6X40	4	
D	M8Xφ50	6	
E		1	



1



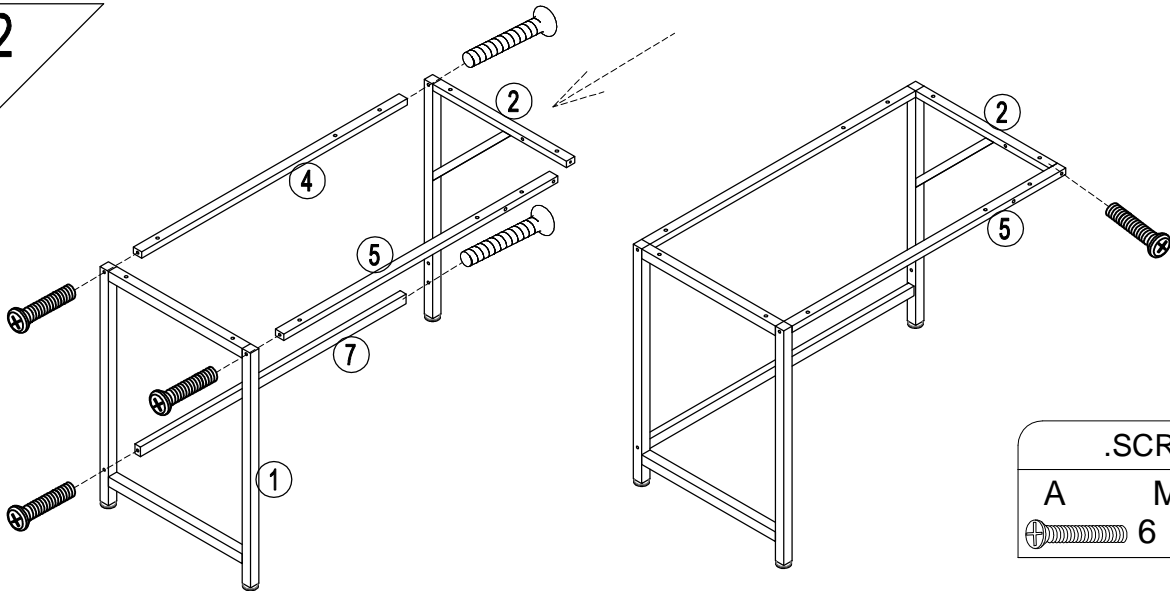
.SCREWS

D M8Xφ50
6 PCS

* Please make sure all screws have fitted into the holes properly.

* Take note that screws can't be tightened before the whole assembling complete.

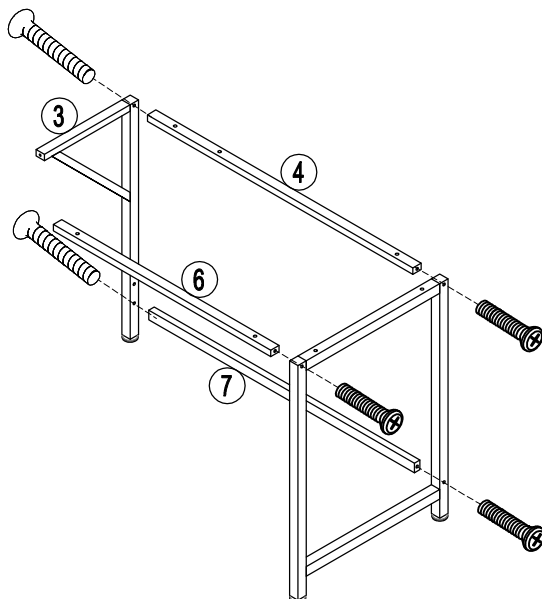
2



.SCREWS

A M6X45
6 PCS

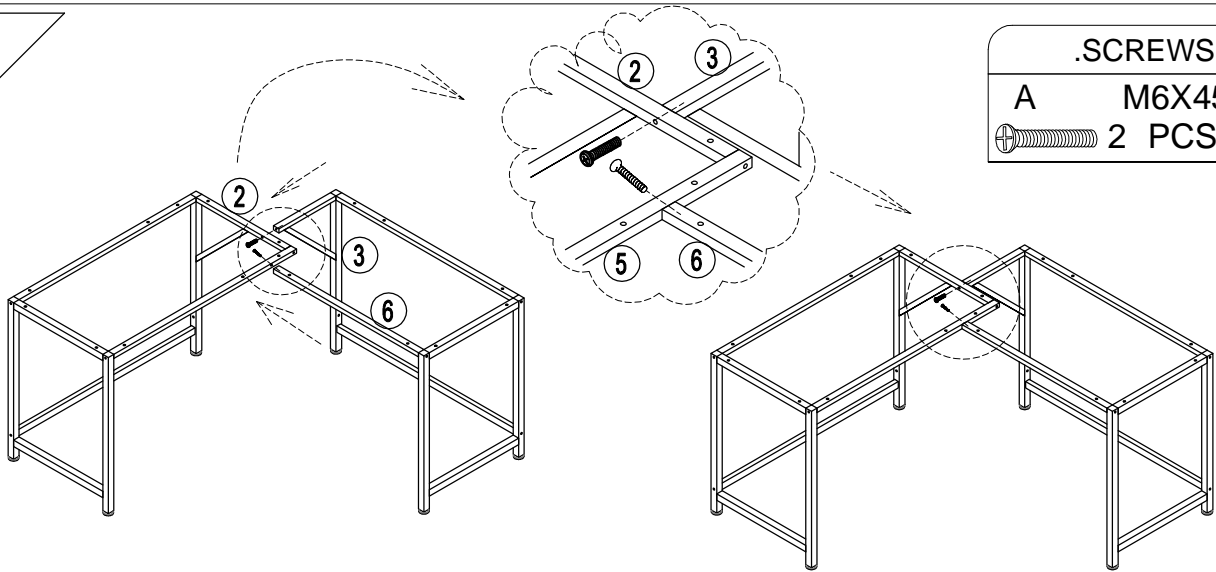
3



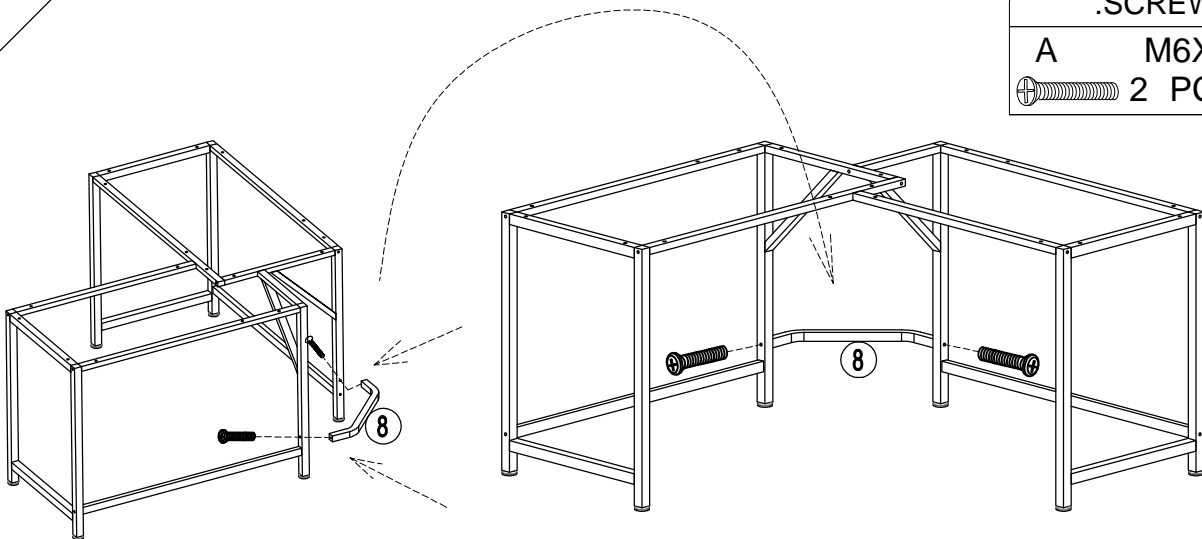
.SCREWS

A M6X45
5 PCS

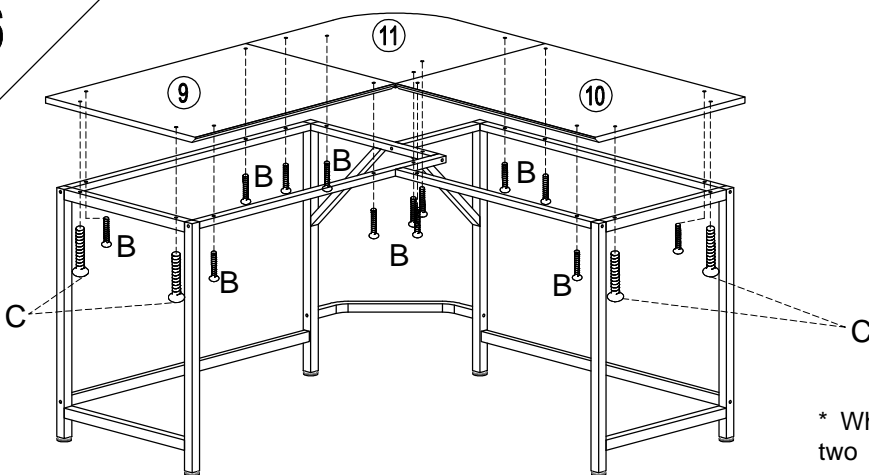
4



5



6



* When you find there is a gap between two boards or two boards aren't flat, or asymmetrical, please adjust screws to improve. Take note that screws can't be tightened before the whole assembling complete.