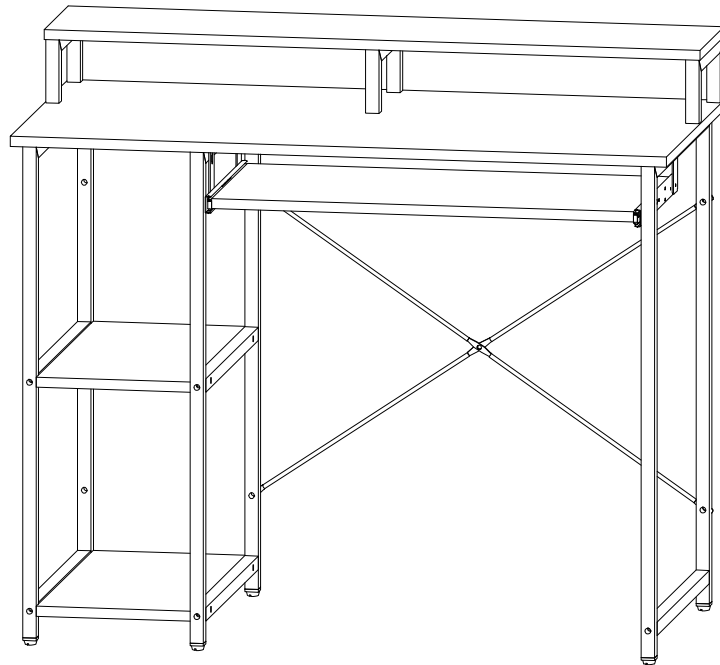


TS500047

T O P S K Y



CUSTOMER SERVICE

For fastest service on claims, request for replacement parts, or questions please visit our website at

www.topskyfurniture.com

e-mail: service@topskyfurniture.com

Phone number: +1 725-333-1988

if that is possible, order-ID, pictures or detail of issue will be helpful.

Special Warnings

- Ø Keep your furniture out of direct sunlight. Please use desk pads and coasters to protect the surface from dents, scratches, and moisture from hot or cold liquids.
- Ø For cleaning, wipe the surface with a damp (not wet) cloth or wipe dry with a clean lint free cotton cloth. Window cleaning liquid or a similar cleaning liquid can be used to clean glass surface.

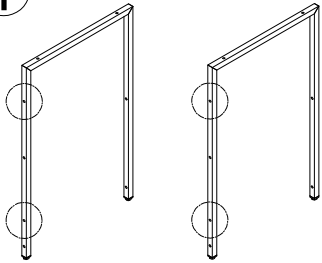
Operation Instructions

- Ø Please check that all parts are present before you start the assembly of your furniture. For the protection of your furniture, place all parts on a clean and smooth surface to prevent any damage.
- Ø Please periodically check all fitting and re-tighten as necessary.
- Ø Please assemble the table by 2 persons or more.
- Ø Do NOT over tighten hardware.

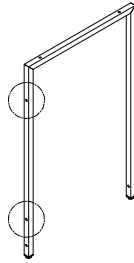
TS500047

P.2

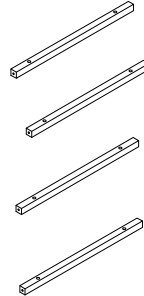
1



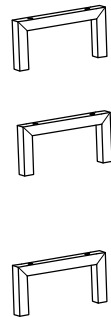
2



3

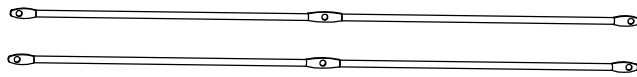


4

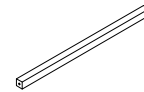


There are 6 holes in total on the columns. But you will not use 2 holes of them at all. We just want to make sure the installation for part #5 more convenient.

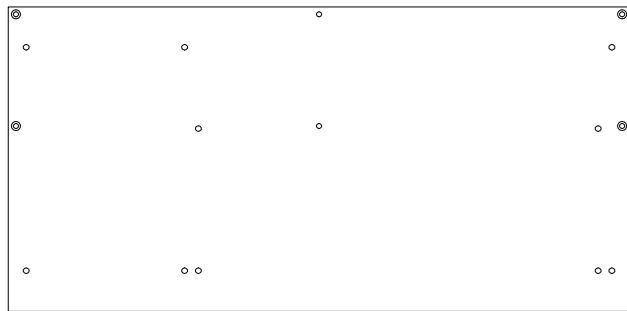
5



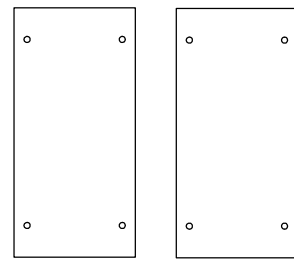
6



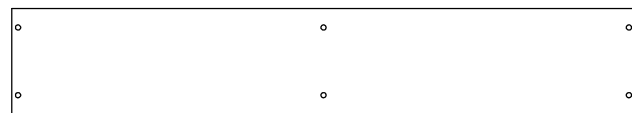
7



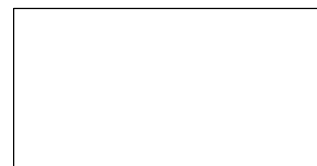
8



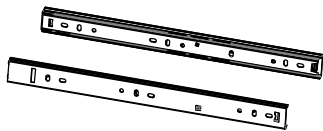
9



10



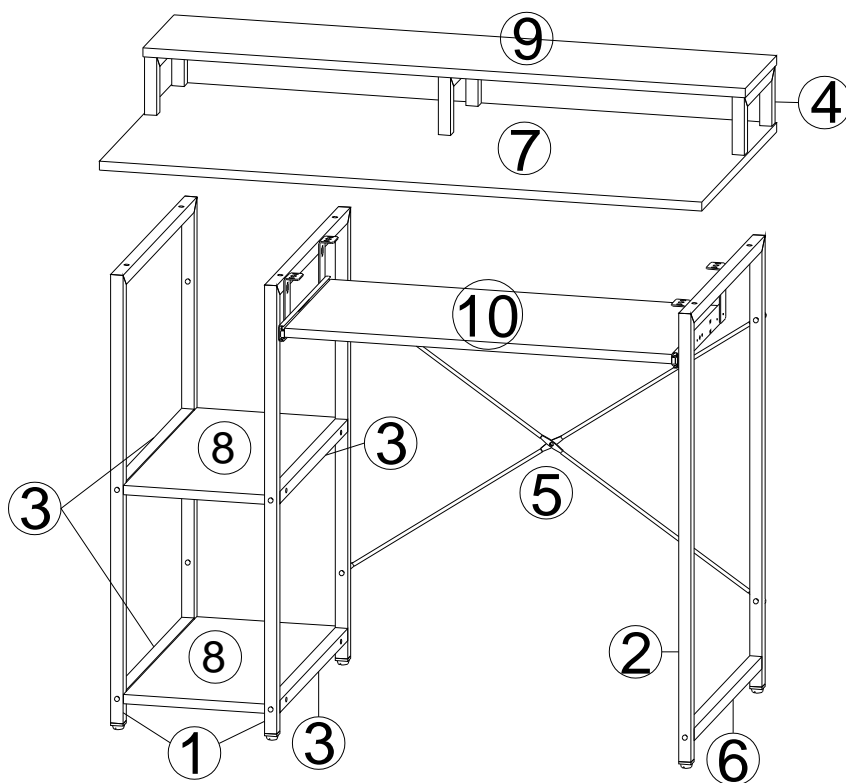
11



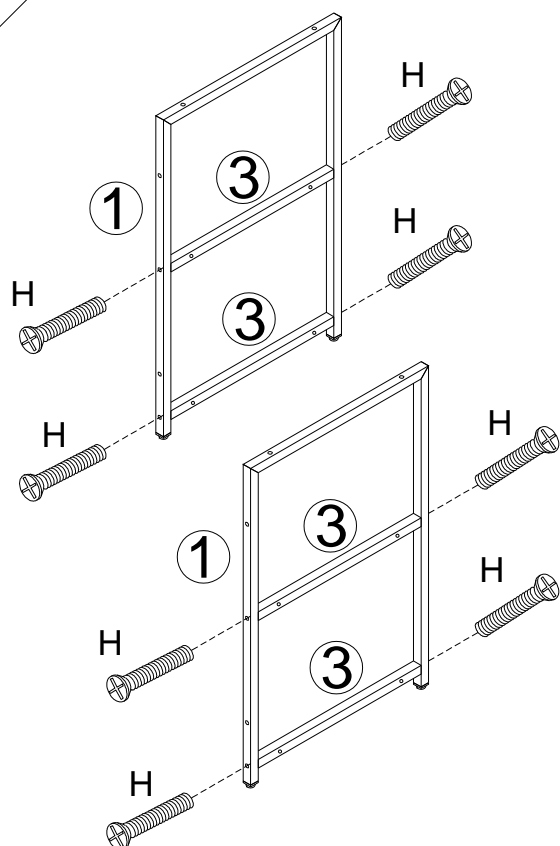
12"

Part.	Item.	QTY.	
A	M6X30	22	
B	M6X12	5	
C	M4X8	4	
D	M5X55	8	
E	M3.5X14	4	

Part.	Item.	QTY.	
F	M6	5	
G		4	
H	M6X35	10	
I		1	
J		1	

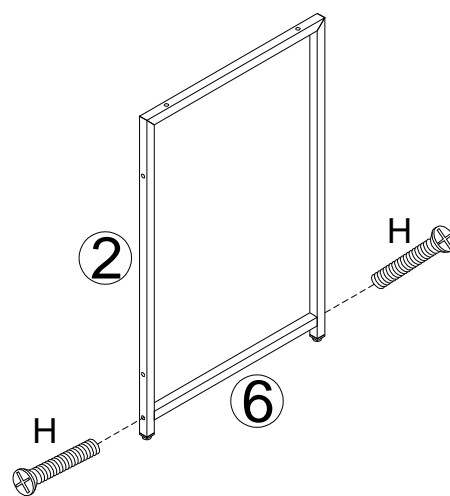


1

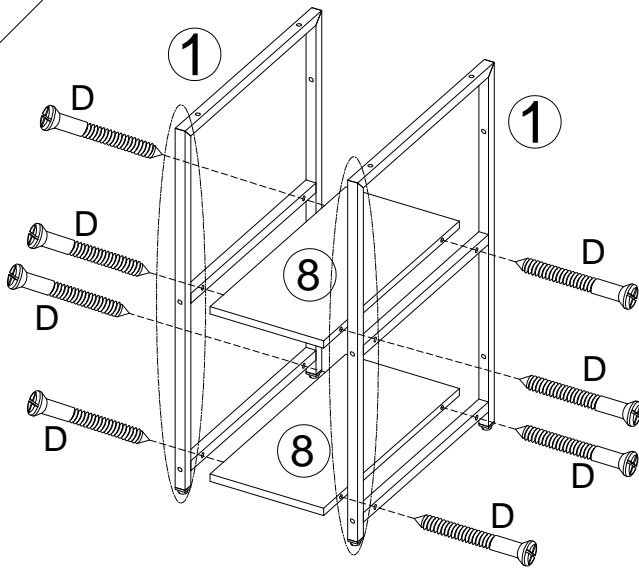


.SCREWS

H M6X35
10 PCS



2

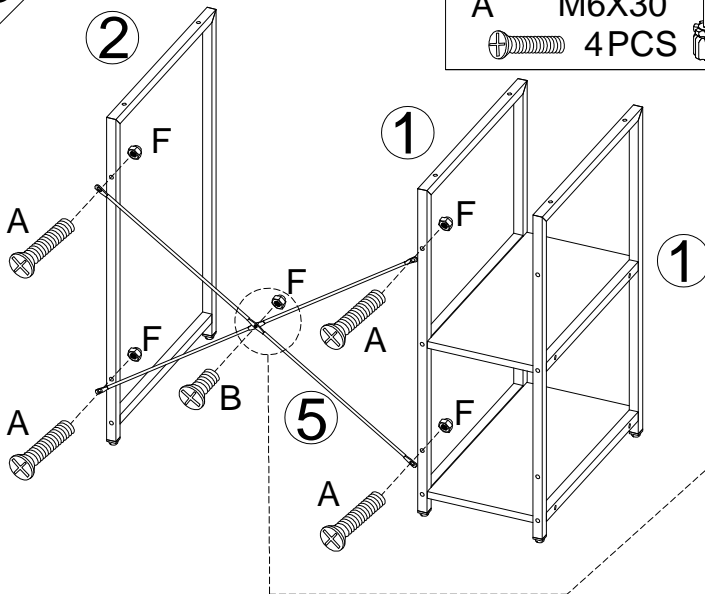


.SCREWS

D	M5X55	
8 PCS		

- Please confirm that there are no other holes on the side of the 3 columns facing you.
- After confirmation, you can install part #5.

3



.SCREWS

A	M6X30	
4 PCS		

.SCREWS

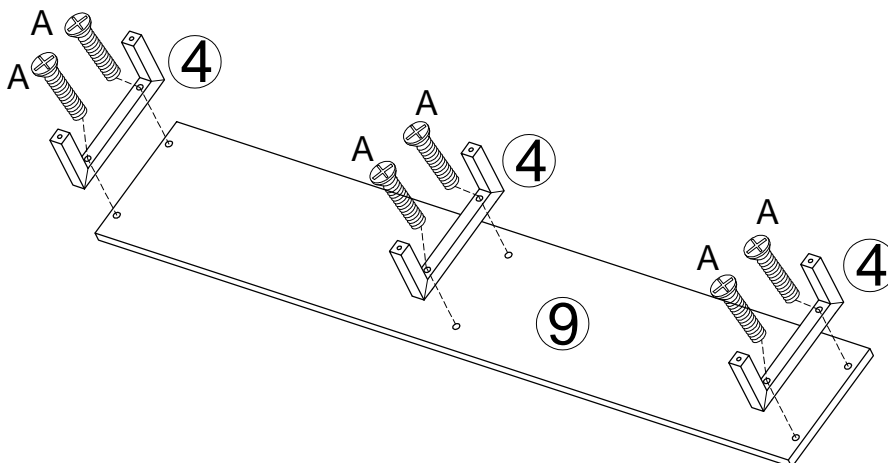
B	M6X12	
1 PCS		

.SCREWS

F	M6	
5 PCS		

*Do not over tighten the screws before assembly the desk board.

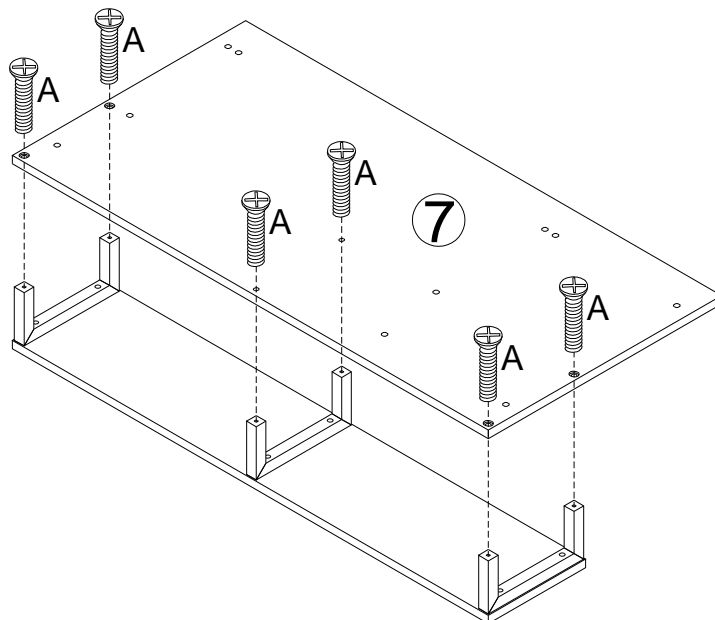
4



.SCREWS

A	M6X30	
6 PCS		

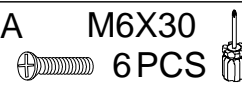
5



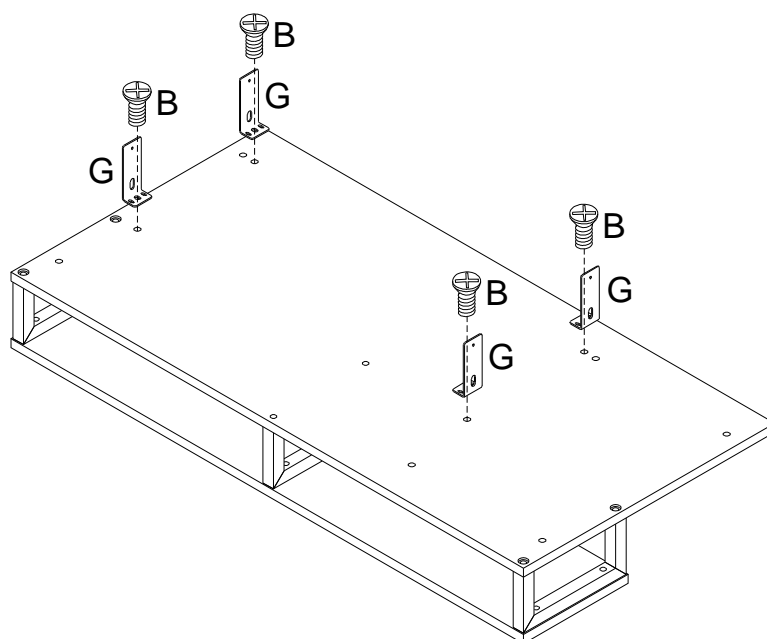
.SCREWS

A M6X30

6 PCS



6

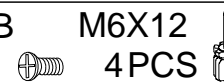


.SCREWS

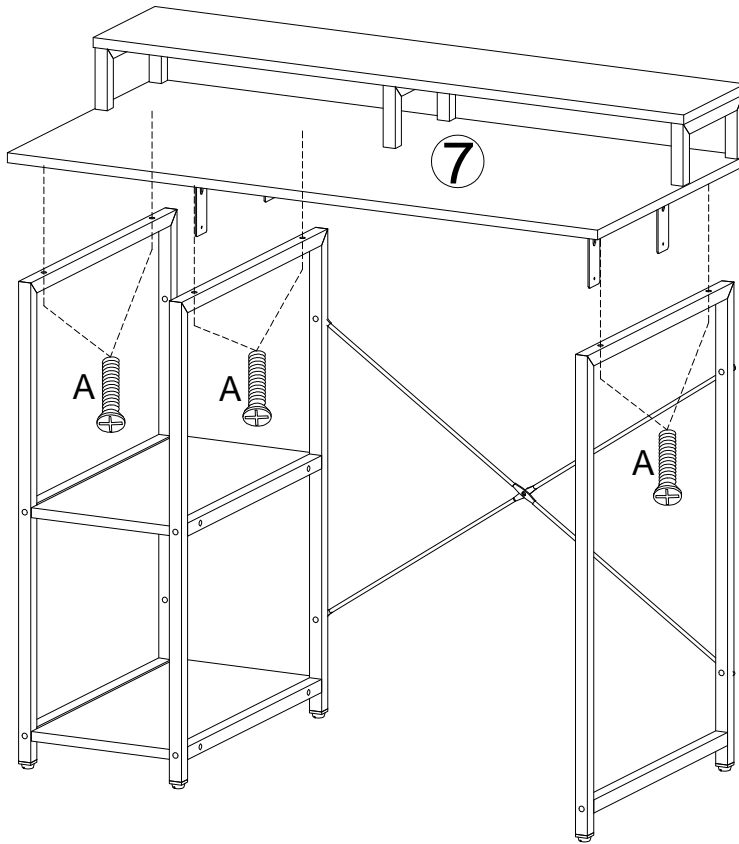
B M6X12

4 PCS

G 4 PCS

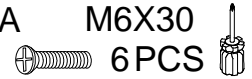


7

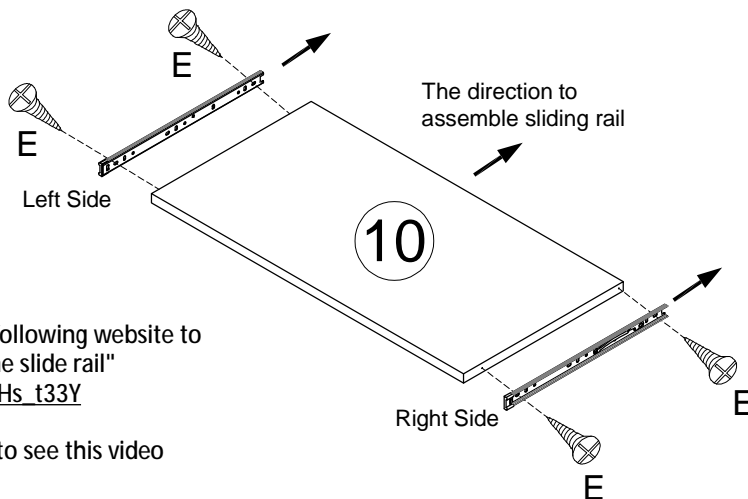


.SCREWS

A M6X30
6 PCS

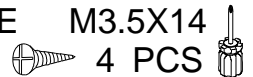


8



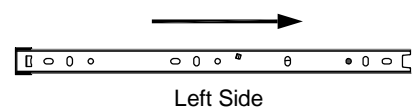
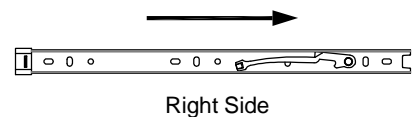
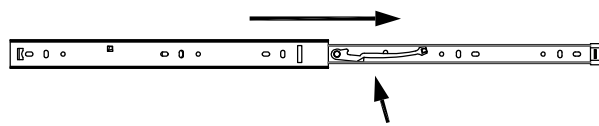
.SCREWS

E M3.5X14
4 PCS

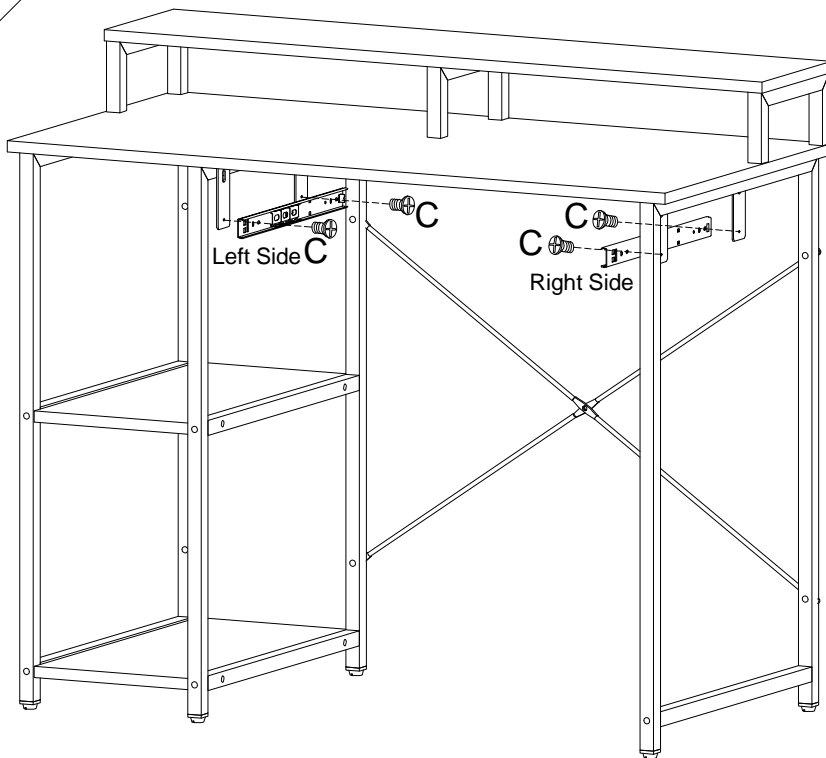


You can refer to the following website to see "How to install the slide rail"
https://youtu.be/iKzIHs_t33Y

Or scan the QR code to see this video



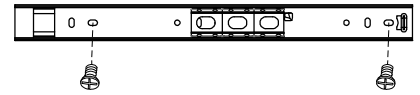
9



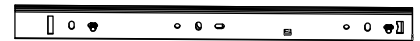
.SCREWS

C M4X8
4PCS

Left Side

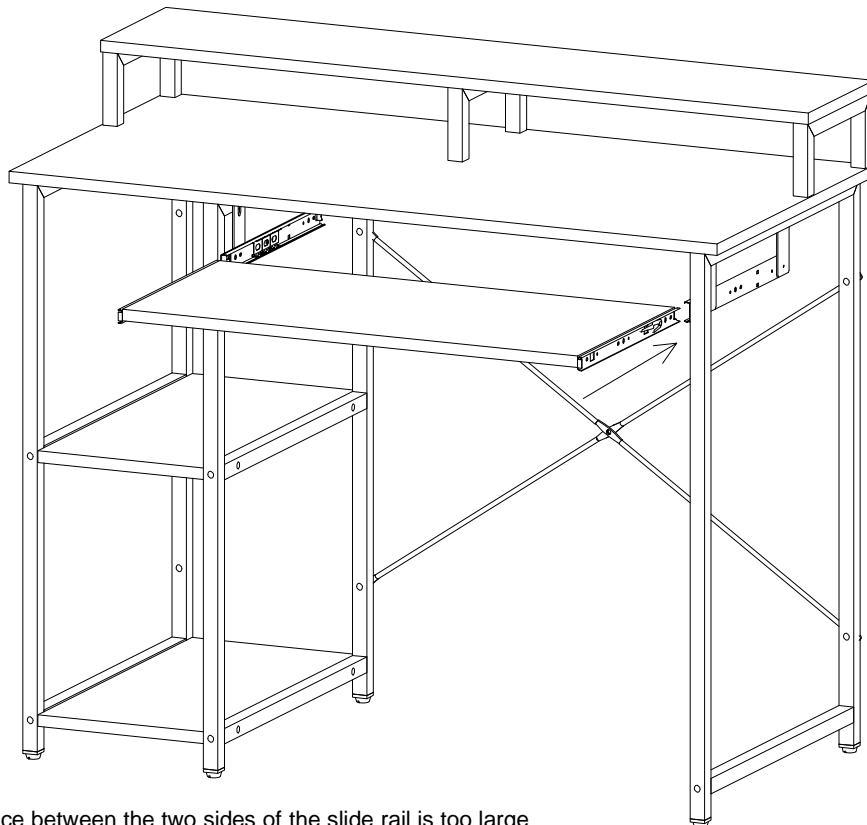


Right Side



Please follow the screw direction, otherwise the slide rail may be stuck.

10



*If you find that the distance between the two sides of the slide rail is too large or too small, please loosen G screw a little in step 6 appropriately to adjust.

11

