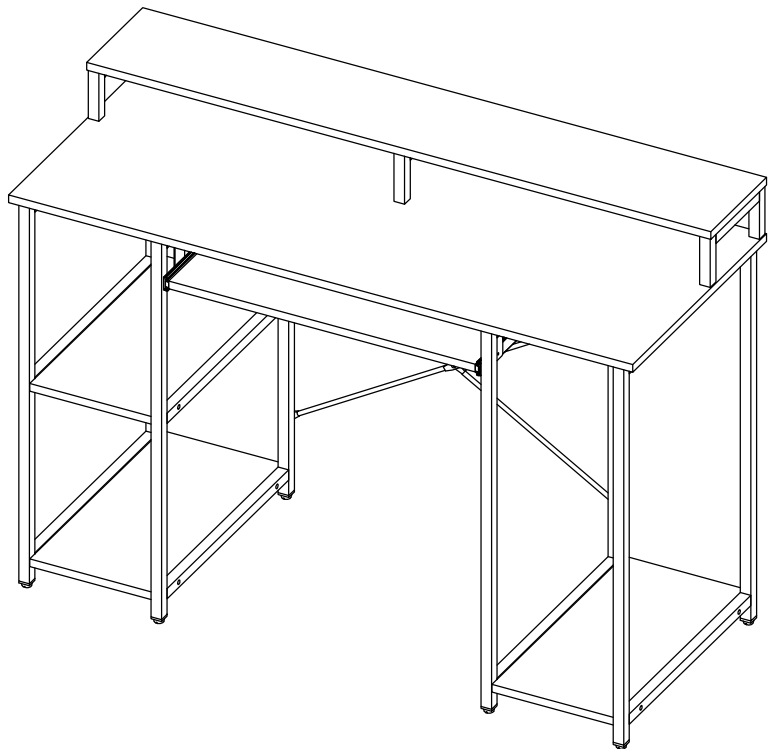


# TS500017

T O P S K Y



## **DO NOT RETURN !!!**

Please contact our service team with Order-ID. And if that is possible, pictures or detail of issue will be helpful for a fast way solution.

**[service@topskyfurniture.com](mailto:service@topskyfurniture.com)**

**Phone number: +1 725-333-1988**

### **Special Warnings**

- Ø Keep your furniture out of direct sunlight. Please use desk pads and coasters to protect the surface from dents, scratches, and moisture from hot or cold liquids.
- Ø For cleaning, wipe the surface with a damp (not wet) cloth or wipe dry with a clean lint free cotton cloth. Window cleaning liquid or a similar cleaning liquid can be used to clean glass surface.

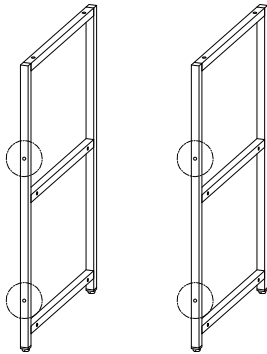
### **Operation Instructions**

- Ø Please check that all parts are present before you start the assembly of your furniture. For the protection of your furniture, place all parts on a clean and smooth surface to prevent any damage.
- Ø Please periodically check all fitting and re-tighten as necessary.
- Ø Please assemble the table by 2 persons or more.
- Ø Do NOT over tighten hardware.

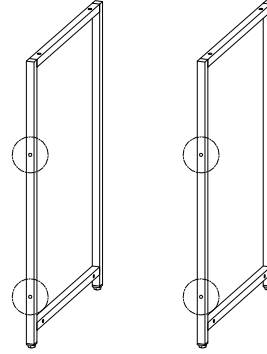
# TS500017

P.2

①

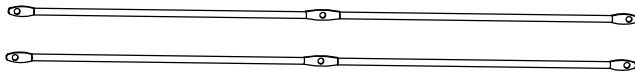


②

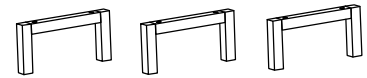


There are 8 holes in total on the columns. But you will not use 4 holes of them at all. We just want to make sure the installation for part #3 more convenient.

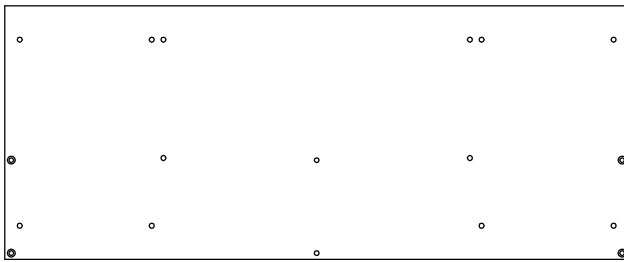
③



④



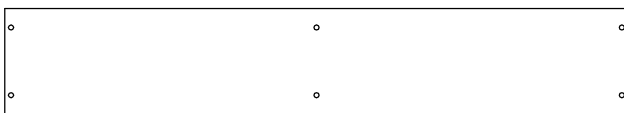
⑤



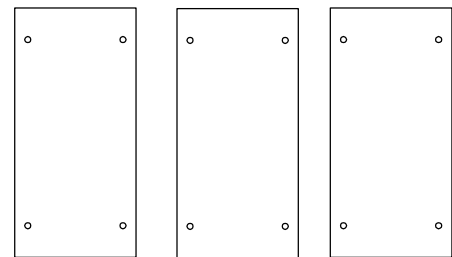
⑥



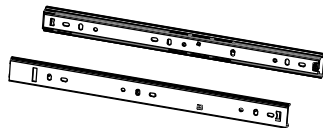
⑦



⑧



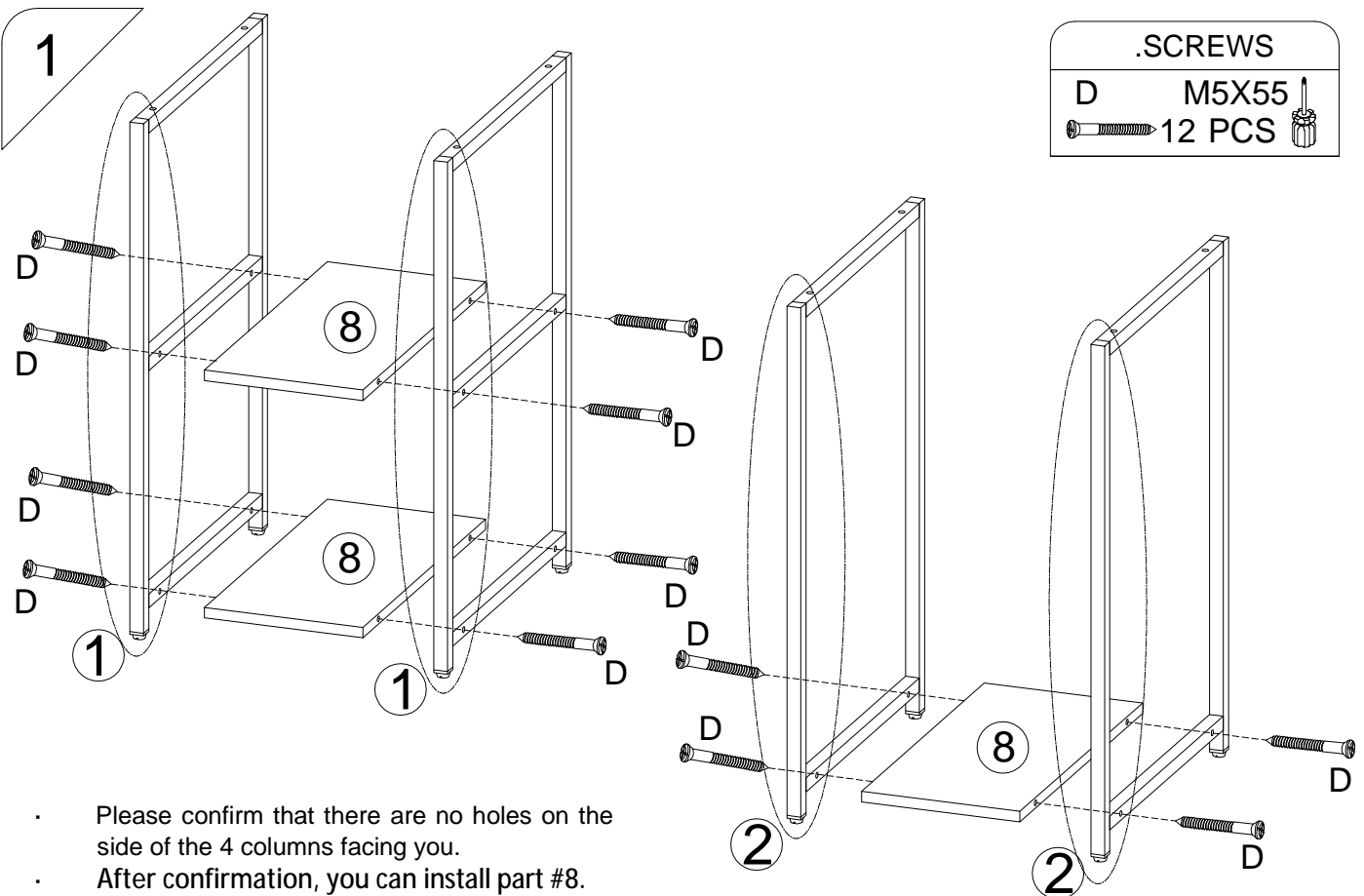
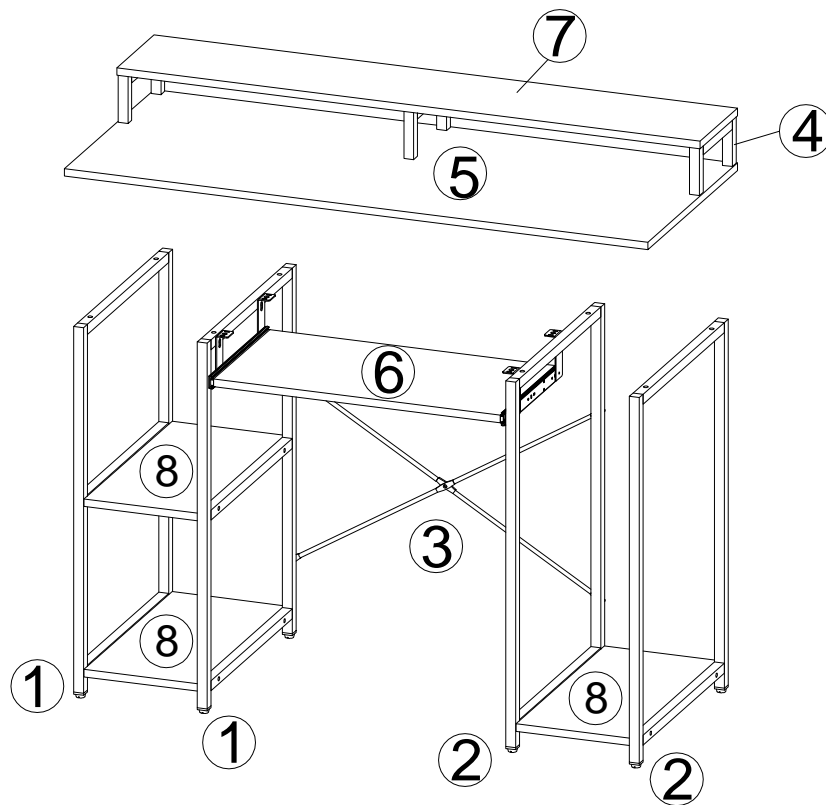
⑨



12"

| Part. | Item.   | QTY. |  |
|-------|---------|------|--|
| A     | M6X30   | 20   |  |
| B     | M6X12   | 9    |  |
| C     | M4X8    | 4    |  |
| D     | M5X55   | 12   |  |
| E     | M3.5X14 | 4    |  |

| Part. | Item. | QTY. |  |
|-------|-------|------|--|
| F     | M6    | 1    |  |
| G     |       | 4    |  |
| H     |       | 1    |  |
| I     |       | 1    |  |
|       |       |      |  |



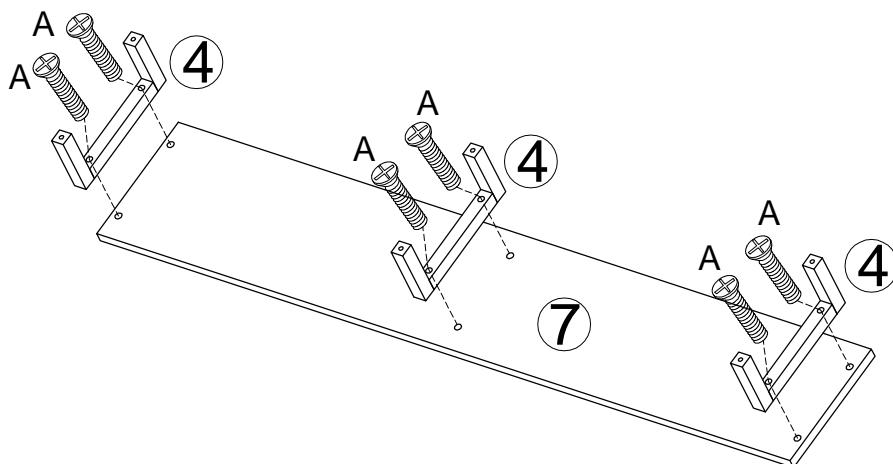
- Please confirm that there are no holes on the side of the 4 columns facing you.
- After confirmation, you can install part #8.
- Then it will be more convenient to install part #3 without mistake in the final step.

2

.SCREWS

A M6X30

6 PCS

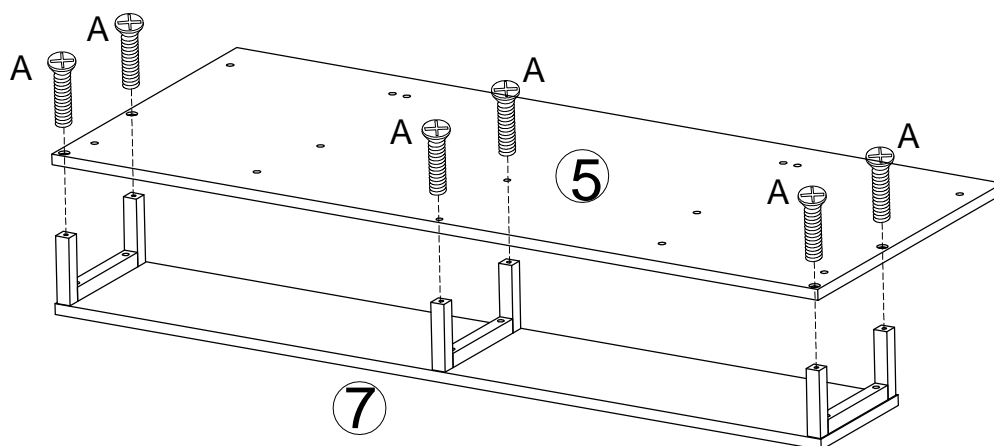


3

.SCREWS

A M6X30

6 PCS



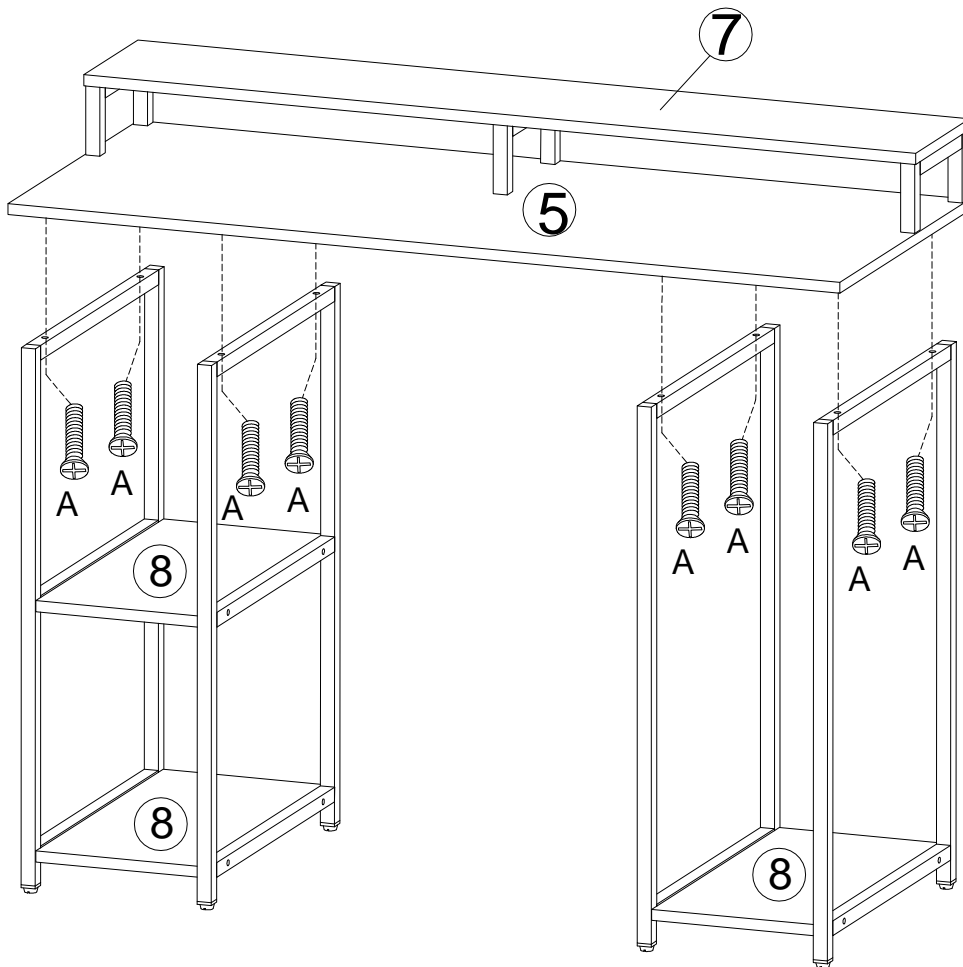
4

.SCREWS

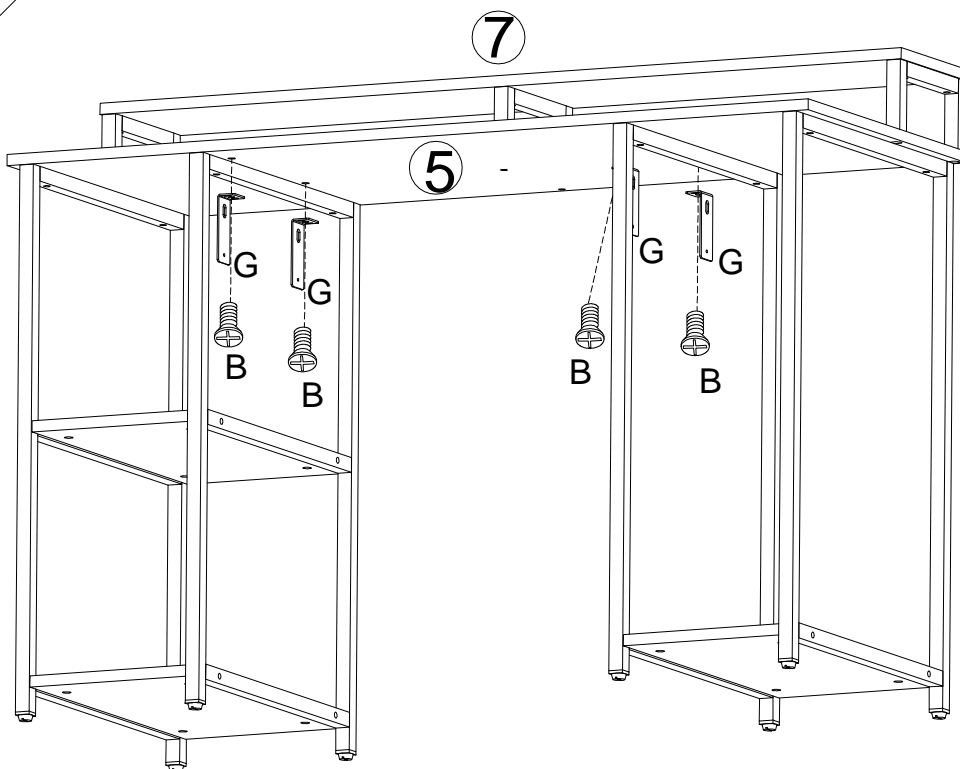
A M6X30



8 PCS



5

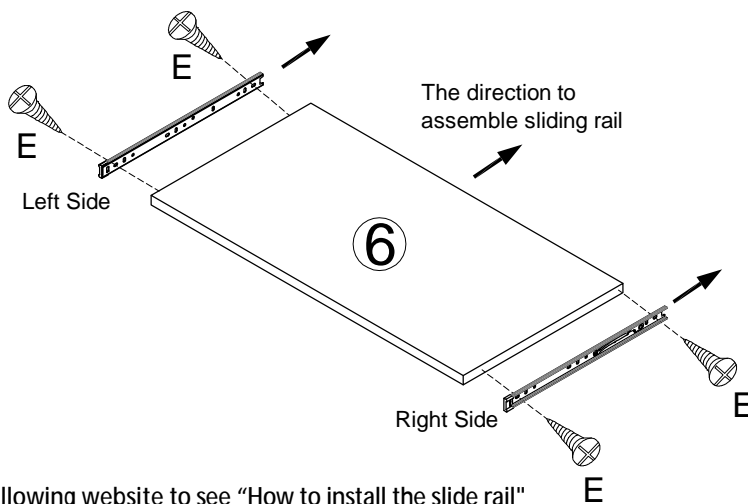


.SCREWS

B M6X12  
4 PCS

G 4PCS

6

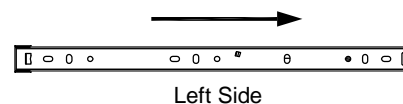
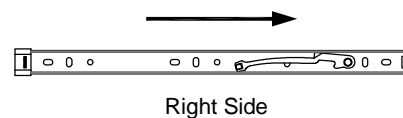
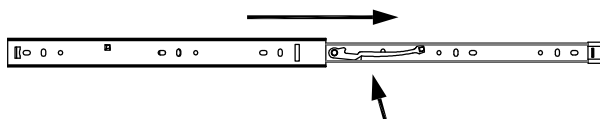


.SCREWS

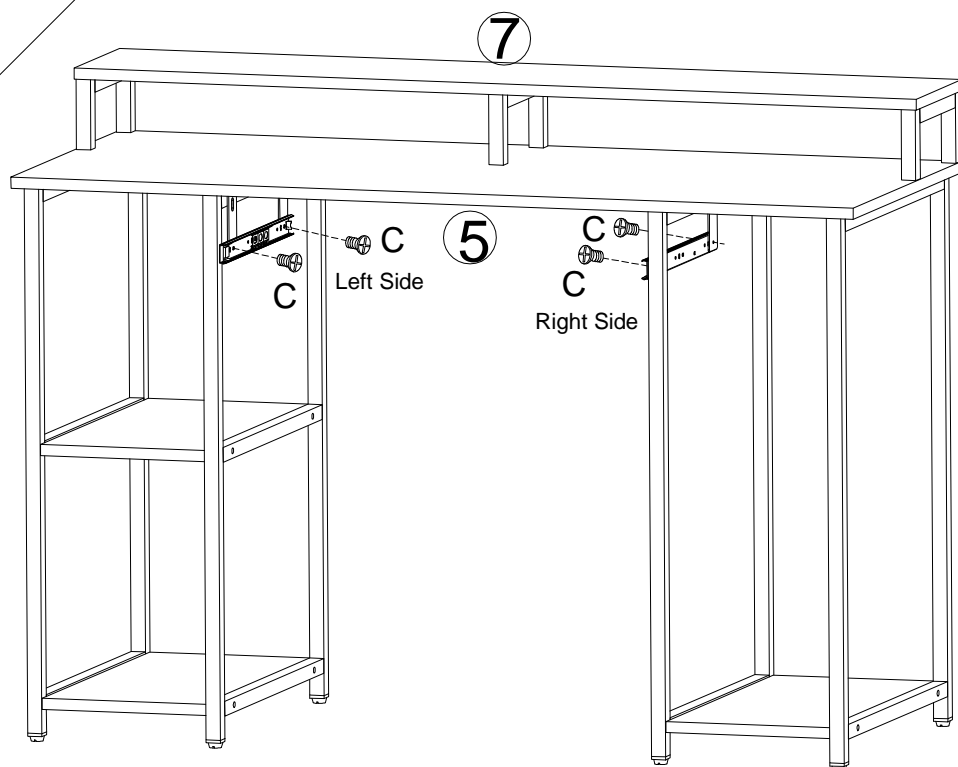
E M3.5X14  
4 PCS

You can refer to the following website to see "How to install the slide rail"  
[https://youtu.be/iKzIHS\\_t33Y](https://youtu.be/iKzIHS_t33Y)

Or scan the QR code to see this video



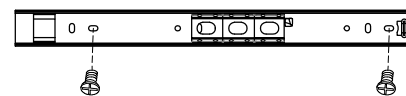
7



.SCREWS

C M4X8  
4 PCS

Left Side

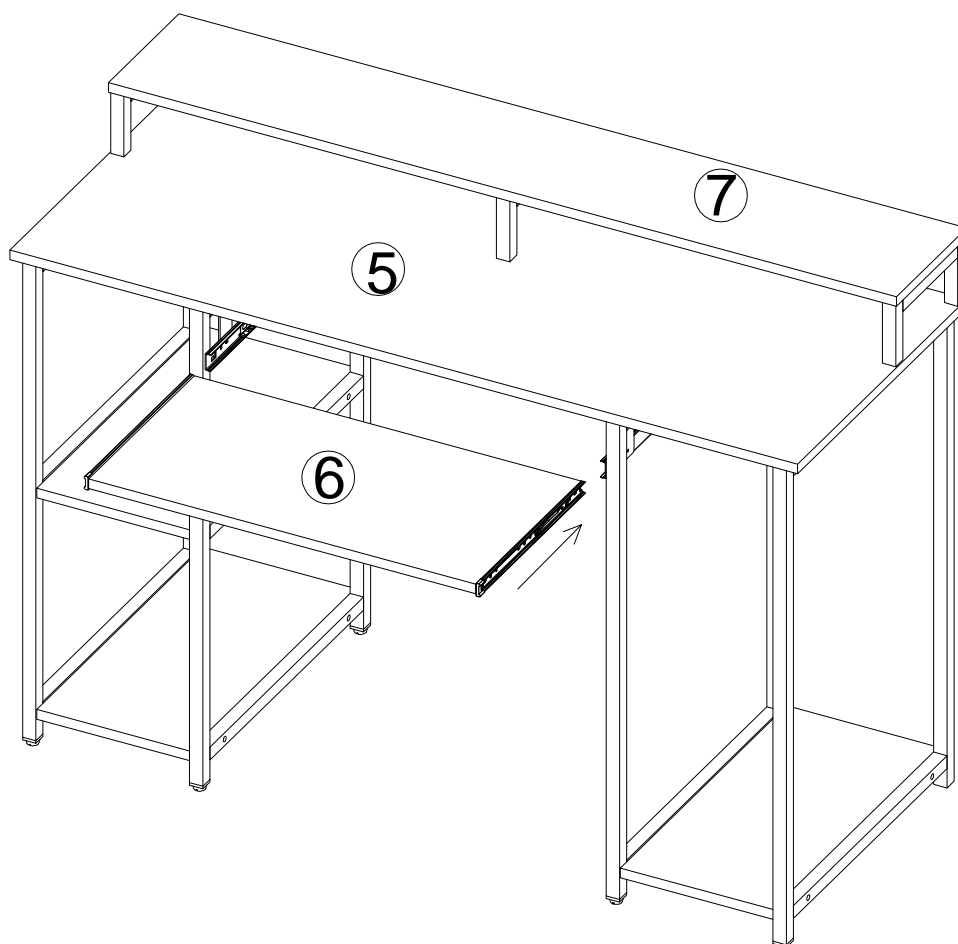


Right Side



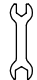


Please follow the screw direction, otherwise the slide rail may be stuck.

8



9

| .SCREWS |       |   | .SCREWS |       |   |
|---------|-------|---|---------|-------|---|
| B       | M6X12 |  | F       | M6    |  |
|         | 5 PCS |   |         | 1 PCS |  |

